



DF2.5

OWNER'S MANUAL

Keep with boat at all times.

This owner's manual contains important information on safety, operation and maintenance.

MANUEL DU PROPRIETAIRE

Conserver ce manuel en permanence dans le bateau. Ce manuel du propriétaire contient d'importantes informations sur la sécurité, le fonctionnement et l'entretien.

Part No. 99011-97J08-03B

August, 2011 Eng. Fre.



INDEX

ENGLISH

FRANÇAIS

**WIRING DIAGRAM
SCHEMA DE CABLAGE**

DF2.5

EN

OWNER'S MANUAL

IMPORTANT

▲ WARNING/ ▲ CAUTION/ NOTICE/ NOTE

Please read this manual and follow its instructions carefully. To emphasize special information, the symbol ▲ and the words **WARNING**, **CAUTION**, **NOTICE** and **NOTE** have special meanings. Pay special attention to the messages highlighted by these signal words.

▲ WARNING

Indicates a potential hazard that could result in death or serious injury.

▲ CAUTION

Indicates a potential hazard that could result in minor or moderate injury.

NOTICE

Indicates a potential hazard that could result in damage to the motor or boat.

NOTE:

Indicates special instructions to make maintenance easier or instructions clearer.

BREAK-IN INFORMATION FOR YOUR OUTBOARD MOTOR

The first 10 hours are the most important in the life of your engine. Proper operation during this break-in period is essential to help ensure maximum life and performance.

Refer to the BREAK-IN section of this manual for specific break-in recommendations.

IMPORTANT NOTICE TO OWNERS

▲ WARNING

Failure to take the proper precautions may increase the risk of death or severe injury to you and your passengers.

- Prior to first-time use of your outboard motor, familiarize yourself thoroughly with the contents of this owner's manual. Be aware of all outboard motor features and all safety and maintenance requirements.

- Inspect the boat and motor before each trip. See the INSPECTION BEFORE BOATING section for important items.
- Become thoroughly familiar with all operating and handling characteristics of your boat and motor. Practice at low and moderate speeds until you are competent at handling the boat and motor. Do not attempt to operate at maximum performance until you are completely familiar with all of these characteristics.
- Carry boating safety and emergency equipment. This important equipment includes; flotation aids for each person (plus one throwable buoyant cushion in any boat 16 feet or longer), fire extinguisher, sound signaling device, visual distress signals, anchor, bilge pump, bucket, compass, emergency starter rope, extra fuel and oil, first aid kit, flashlight, food and water, mirror, paddles, tool kit, and transistor radio. Be sure you are carrying the equipment appropriate for your trip before launching.
- Never start the engine or let it run indoors or where there is little or no ventilation. Exhaust gas contains carbon monoxide, a gas that is colorless and odorless and can cause death or severe injury.
- Instruct your passengers on how to operate the boat, how to deal with emergencies, and how to operate safety and emergency equipment.
- Do not hold onto the motor cover or any other parts of your outboard motor while getting on or off your boat.
- Ensure that everyone wears a life jacket on board.
- Never operate the boat while under the influence of alcohol or other drugs.
- Distribute all weight load evenly in the boat.
- Have all scheduled maintenance performed. Consult your authorized Suzuki marine dealer as required.

FOREWORD

- Do not modify or remove any outboard motor standard equipment. To do so may make the motor unsafe to use.
- Learn and obey all applicable navigation rules.
- Pay attention to all weather forecasts. Do not set out if weather is unsettled.
- Use extreme caution when purchasing replacement parts or accessories. Suzuki strongly recommends that you use only genuine Suzuki replacement parts/accessories or their equivalent. Inappropriate or poor quality replacement parts or accessories can create unsafe operating conditions.

NOTE:

Mounting radio transceiver or navigational equipment antennae too close to the engine cowling can cause electrical noise interference. Suzuki recommends that antennae be mounted at least one meter (40 inches) away from the engine cowling.

This manual should be considered a permanent part of the outboard motor and should remain with the outboard motor when resold or otherwise transferred to a new owner or operator. Please read this manual carefully before operating your new Suzuki and review the manual from time to time. It contains important information on safety, operation, and maintenance.

The proper care and maintenance that your outboard motor requires is outlined in this manual. By following these instructions explicitly you will ensure a long trouble-free operating life for your outboard motor. This outboard motor also conforms to the U.S. Environmental Protection Agency emission regulations which apply to new outboard motors. The proper adjustment of engine components is necessary for this outboard motor to comply with the EPA regulations. Therefore, please follow the maintenance instructions closely to ensure emission compliance. Your Suzuki dealer has experienced technicians that are trained to provide your outboard motor with the best possible service with the right tools and equipment.

All information in this manual is based on the latest product information available at the time of publication. Due to improvements or other changes, there may be discrepancies between information in this manual and your outboard motor. Suzuki reserves the right to make production changes at any time, without notice and without incurring any obligation to make the same or similar changes to outboard motors previously built or sold.

PLEASE PRESERVE NATURE

Protect and preserve your boating waters and their land access. Never pollute the water or land with oil, gas, or other harmful products. For example, make sure you dispose of used gear oil properly following a gear oil change. Also remember not to litter. With a little bit of effort, our boating waters can be enjoyed for many years to come.

Suzuki Motor Corporation believes in conservation and protection of Earth's natural resources.

To that end, we encourage every outboard motor owner to recycle, trade in, or properly dispose of, as appropriate, used oil and batteries.

TAKE A BOATING SAFETY CLASS

An educated boater will enjoy boating more and will be a safer boater. We recommend that you take a boating safety class.

Classes explaining required and recommended equipment for small boats and offering training in good seamanship are conducted by the U.S. Coast Guard Auxiliary, the U.S. Power Squadron, and many Red Cross chapters. For information on classes in your area, call toll-free 1-800-336-BOAT (2628).

Your state's department of boating and your Suzuki Marine dealer can supply you with additional information on boating safety and regulations, or you can call the U.S. Coast Guard Boating Safety Hotline toll-free at 1-800-368-5647.

California Proposition 65 Warning

WARNING

Engine exhaust, some of its constituents, and certain product components contain or emit chemicals known to the State of California to cause cancer and birth defects or other reproductive harm.

TABLE OF CONTENTS

FUEL AND OIL.....	6
GASOLINE	6
FILLING THE FUEL TANK	7
ENGINE OIL	8
GEAR OIL	8
LOCATION OF SAFETY LABELS	9
LOCATION OF PARTS.....	10
MOTOR INSTALLATION	11
PROPELLER SELECTION AND INSTALLATION.....	12
PROPELLER SELECTION	12
PROPELLER INSTALLATION	13
ADJUSTMENTS.....	13
TRIM ANGLE ADJUSTMENT	13
STEERING TENSION ADJUSTMENT	15
THROTTLE TENSION ADJUSTMENT	15
IDLE SPEED ADJUSTMENT	15
HIGH ALTITUDE OPERATION OF YOUR OUTBOARD MOTOR.....	16
OPERATION OF TILTING SYSTEMS.....	17
TILT UP LOCK ARM.....	17
INSPECTION BEFORE BOATING ...	19
BREAK-IN	21
OPERATION	22
BEFORE ATTEMPTING TO START THE ENGINE	22
STARTING THE ENGINE	23
EMERGENCY STARTING	25
SHIFTING AND SPEED CONTROL	26
REVERSE OPERATION	27
STOPPING THE ENGINE	27
MOORING	28
OPERATION IN SHALLOW WATER.....	28
OPERATION IN SALT WATER	28
OPERATION IN FREEZING WEATHER.....	29

MOTOR REMOVAL AND TRANSPORTING	29
MOTOR REMOVAL	29
MOTOR TRANSPORTING.....	30
INSPECTION AND MAINTENANCE.....	32
MAINTENANCE SCHEDULE	32
SPARK PLUG	34
BREATHER AND FUEL LINE	35
ENGINE OIL	36
GEAR OIL	37
LUBRICATION	38
CORROSION PREVENTION	39
FUEL FILTER.....	39
FLUSHING THE WATER PASSAGES.....	40
SUBMERGED MOTOR.....	41
STORAGE PROCEDURE	42
AFTER STORAGE	43
GENERAL INFORMATION.....	43
WARRANTIES (For U.S.A.).....	43
IDENTIFICATION NUMBER LOCATION	43
EMISSION CONTROL INFORMATION.....	43
TROUBLESHOOTING	44
SPECIFICATIONS	44

FUEL AND OIL

GASOLINE

Suzuki highly recommends that you use alcohol-free unleaded gasoline whenever possible, with a minimum pump octane rating of 87 ((R+M)/2 method). In some areas, the only fuels that are available are oxygenated fuels. Oxygenated fuels which meet the minimum octane requirement and the requirements described below may be used in your outboard motor without jeopardizing the New Outboard Motor Limited Warranty.

NOTICE

Use of leaded gasoline can cause engine damage. Use of improper or poor quality fuel can affect performance and may damage your motor and fuel system.

Use only unleaded gasoline. Do not use fuel having lower than the recommended octane, or fuel that may be stale or contaminated by dirt/water etc.

NOTE:

Oxygenated fuels are fuels which contain oxygen-carrying additives such as MTBE or alcohol.

Gasoline Containing MTBE

Unleaded gasoline containing MTBE (Methyl Tertiary Butyl Ether) may be used in your outboard motor if the MTBE content is not greater than 15%. This oxygenated fuel does not contain alcohol.

Gasoline/Ethanol Blends

Blends of unleaded gasoline and ethanol (grain alcohol), also known as gasohol, may be used in your outboard motor if the ethanol content is not greater than 10%.

Gasoline/Methanol Blends

Avoid using blends of unleaded gasoline and methanol (wood alcohol) whenever possible. DO NOT USE fuels containing more than 5% methanol under any circumstances. Fuel system damage or outboard motor performance problems resulting from the use of such fuels are not the responsibility of Suzuki and may not be covered under the New Outboard Motor Limited Warranty.

Fuel containing 5% or less methanol may be suitable for use in your outboard motor if they contain cosolvents and corrosion inhibitors.

Fuel Pump Labeling

In some states, pumps that dispense oxygenated fuels are required to be labeled for the type and percentage of oxygenate, and whether important additives are present. Such labels may provide enough information for you to determine if a particular blend of fuel meets the requirements listed above. In other states, pumps may not be clearly labeled as to the content or type of oxygenate and additives. If you are not sure that the fuel you intend to use meets these requirements, check with the service station operator or the fuel suppliers.

NOTE:

- *Be sure that any oxygenated fuel blend you use has octane ratings of at least 87 pump octane ((R+M)/2 method).*
- *If you are not satisfied with the driveability or fuel economy of your outboard motor when you are using a gasoline/alcohol blend, you should switch back to unleaded gasoline containing no alcohol.*
- *If engine pinging is experienced, substitute another brand, as there are differences between brands.*

NOTICE

Gasoline kept in the fuel tank for long periods of time will produce varnish and gum, which can damage the engine.

Always use fresh gasoline.

FILLING THE FUEL TANK

To fill the fuel tank:

1. Always stop the engine before refilling the tank.

▲ WARNING

Gasoline is extremely flammable and toxic. It can cause a fire and can be hazardous to people and pets.

Always take the following precautions when refueling:

- Never permit anyone other than an adult to refill the fuel tank.
- If you use a portable fuel tank, always stop the motor and remove the fuel tank from the boat to refill it.
- Do not fill the fuel tank all the way to the top or fuel may overflow when it expands due to heating by the sun.
- Be careful not to spill fuel. If you do, wipe it up immediately.
- Do not smoke, and keep away from open flames and sparks.

NOTICE

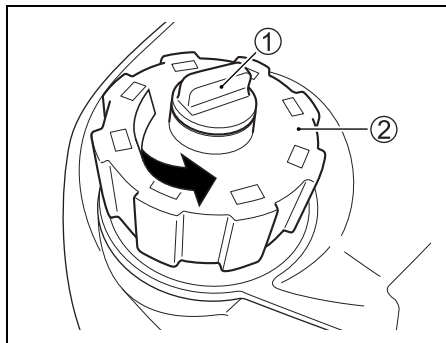
Fuels containing alcohol can cause paint damage, which is not covered under the New Outboard Motor Limited Warranty.

Be careful not to spill fuel containing alcohol while refueling. If fuel is spilled, wipe it up immediately.

2. Turn the air-vent screw ① on top of the fuel tank cap ② fully counterclockwise to open the vent.

NOTE:

VENT SCREW should be **CLOSED** for transportation and **OPEN** for **OPERATION** and **CAP REMOVAL**.

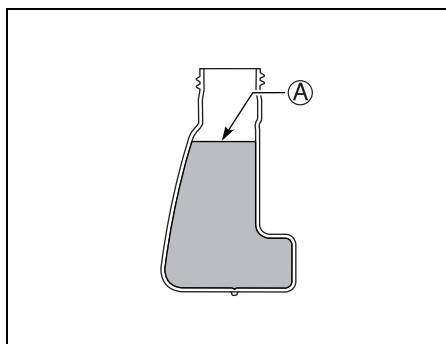


3. Remove the fuel tank cap.

▲ WARNING

If you overfill the built-in fuel tank, fuel may overflow.

Do not fill the tank above the maximum fuel level (A).



4. Carefully refill the fuel tank with gasoline. Do not over fill.

Fuel tank capacity	1.0 L (0.26/0.22 US/Imp gal)
--------------------	---------------------------------

5. Tighten the fuel tank cap until an audible “click” is heard.
6. Tighten the air-vent screw on top of the fuel tank cap.

ENGINE OIL

NOTICE

Use of poor quality engine oil can adversely affect engine performance and life.

Suzuki recommends that you use Suzuki Marine 4-Cycle Engine Oil or its equivalent.

Oil quality is a major contributor to your engine’s performance and life. Always select good quality engine oil.

Suzuki recommends the use of SAE 10W-40 SUZUKI MARINE 4-CYCLE ENGINE OIL. If SUZUKI MARINE 4-CYCLE ENGINE OIL is not available, select a NMMA certified FC-W oil or good quality 4-cycle motor oil from the following chart according to the average temperatures in your area.

API Classification	SAE Viscosity Grade									
SG										
SH										
SJ										
SL										
SM										
TEMP.	°C	-20	-10	0	10	20	30	40		
	°F	-4	14	32	50	68	86	104		

NOTE:

In very cold weather (below 5°C (41°F), use SAE (or NMMA FC-W) 5W-30 for easier starting and smooth operation.

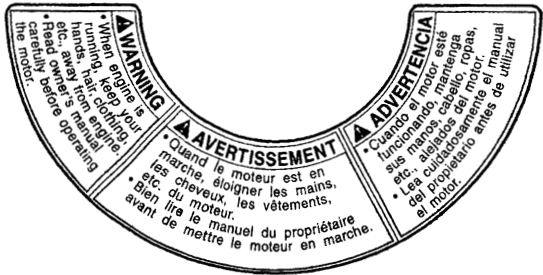
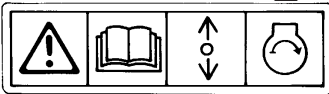
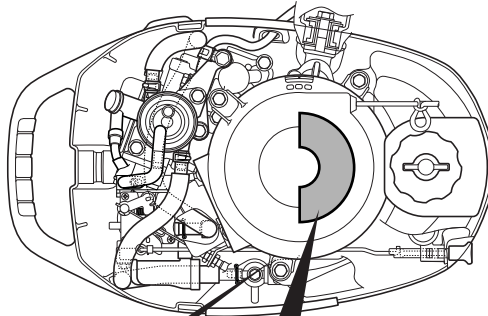
GEAR OIL

Suzuki recommends the use of SUZUKI HYPOID GEAR OIL. If it is not available, use SAE 90 hypoid gear oil which is rated GL-5 under the API classification system.

LOCATION OF SAFETY LABELS

Read and follow all of the labels on your outboard motor or fuel tank. Make sure you understand all of the labels.

Keep the labels on your outboard motor or fuel tank. Do not remove them for any reason.



**▲ WARNING
AVERTISSEMENT
ADVERTENCIA**

To avoid injury:

- Ensure shift control is in neutral before starting motor.
- When engine is running, do not remove or install motor cover.
- To reduce the risk of fire and possible injury, tighten air vent screw before tilting or cranking motor.

Read owner's manual carefully before operating motor.



Pour éviter toute blessure:

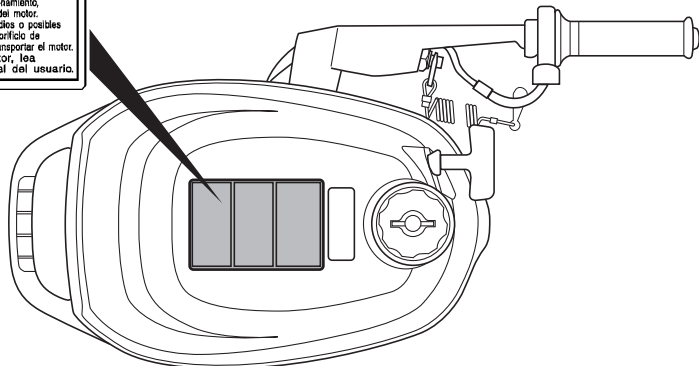
- Vérifier que le levier de transmission est au point mort avant de démarrer le moteur.
- Quand le moteur est en marche, ne pas enlever ou installer le capot.
- Pour réduire les risques d'incendie et de blessure possible, serrer la vis de l'évent d'air avant de basculer ou de déplacer le moteur.

Lire attentivement le manuel du propriétaire avant d'utiliser le moteur

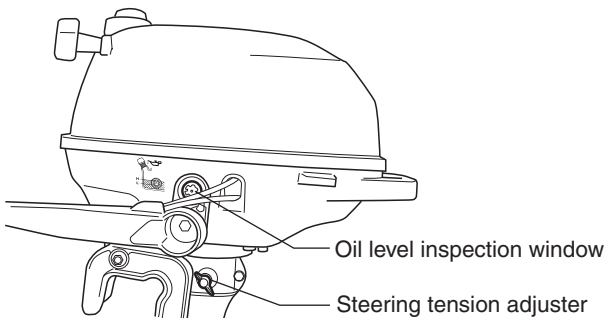
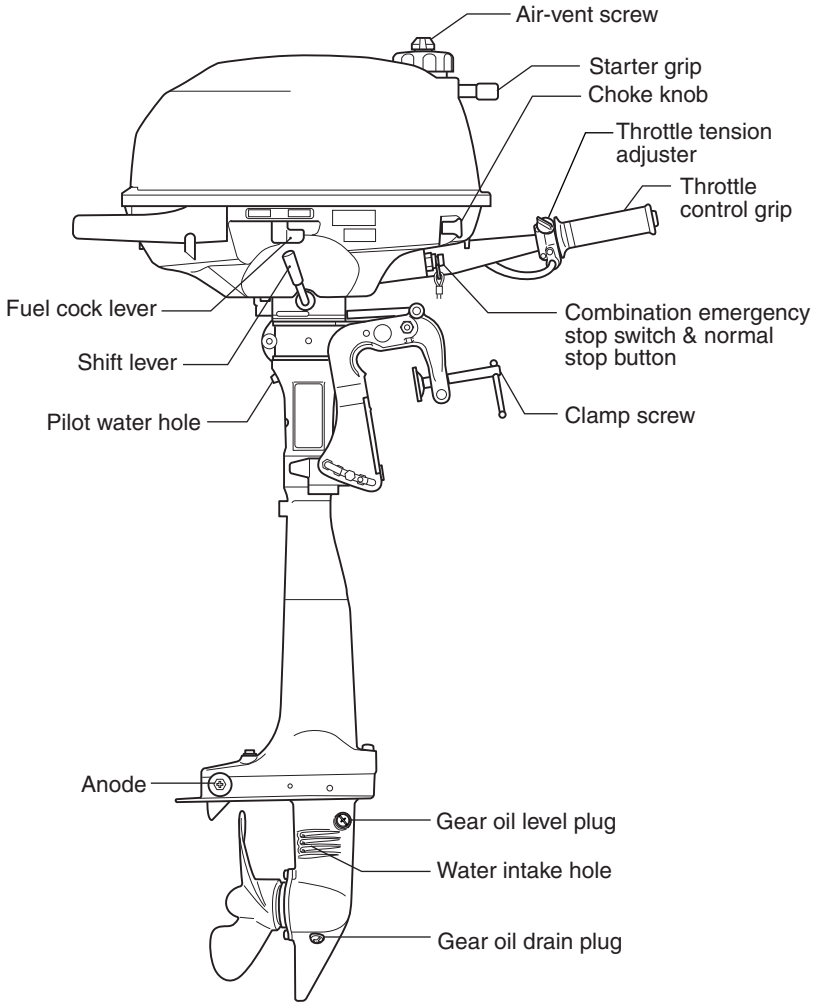
Para evitar lesiones:

- Asegúrese de que el control de cambio de marchas está en punto muerto antes de arrancar el motor.
- Cuando el motor está en funcionamiento, no retire ni instale la cubierta del motor.
- Para reducir el riesgo de incendios o posibles lesiones, apriete el tornillo del orificio de ventilación antes de ladear o transportar el motor.

Antes de accionar el motor, lea cuidadosamente el manual del usuario.



LOCATION OF PARTS



MOTOR INSTALLATION

⚠ WARNING

Overpowering your boat can be hazardous. Excessive horsepower will have an adverse effect on hull safety and may cause operating/handling difficulties. The boat may also sustain stress and hull damage.

Never install an outboard motor with horsepower exceeding the manufacturer's recommended maximum horsepower listed on the boat's "Certification Plate". Contact your authorized Suzuki marine dealer if you are unable to locate the hull "Certificate Plate".

NOTE:

It is against federal regulations for any marine dealer to service a motor that exceeds the recommended maximum horsepower for your boat.

Proper transom height is important for good performance. A motor mounted on a transom that is too high causes the propeller to slip resulting in wasted power or overheating.

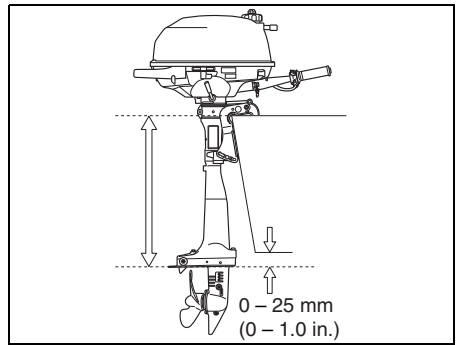
A motor mounted on a transom that is too low will increase drag, causing reduced speed.

Make sure that when the motor is lowered all the way down, the anti-cavitation plate is located 0 – 25 mm (0 – 1.0 in.) below the bottom of the boat (See illustration below).

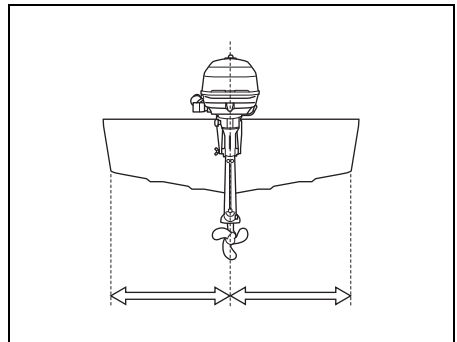
NOTICE

Operating your outboard motor with the anti-cavitation plate above water can cause overheating and severe damage to your outboard motor.

Do not operate your outboard motor with the anti-cavitation plate above water.



Center the motor on the transom and secure it by alternately tightening the clamp bracket screws by hand. Make sure you accurately center the motor, or the boat will pull to one side during operation.

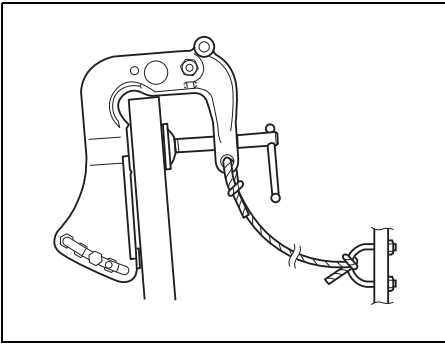


After installing the motor, check to make sure that steering and tilt movement are not obstructed by any part of the boat.

⚠ WARNING

If the motor is not properly secured to the transom, it can come off.

Be sure to attach a sturdy rope or cable between the boat and the hole on the clamp bracket for security. Occasionally check the clamp screws for tightness.



PROPELLER SELECTION AND INSTALLATION

PROPELLER SELECTION

It is essential to use a propeller on your outboard motor that is properly matched to your boat's operating characteristics. The speed of the engine when you operate your boat at full throttle depends on the propeller you use. Excessive engine speed can seriously damage the motor, while low engine speed at full throttle will adversely affect performance. Your operating load will also affect propeller selection. Smaller loads generally require larger-pitch propellers; larger loads generally require smaller-pitch propellers. Your authorized Suzuki Marine Dealer will assist you in selecting a suitable propeller for your boat.

NOTICE

Installing a propeller with either too much or too little pitch will cause incorrect maximum engine speed, which may result in severe damage to the motor.

Ask your authorized Suzuki marine dealer to assist you in selecting a suitable propeller for your boat.

You can determine if your propeller is appropriate for use with your boat by using a tachometer to measure engine speed when operating your boat at full throttle, under minimum load conditions. If you are using an appropriate propeller, the engine speed will be within the following range:

Full throttle operating range	5250 – 5750 r/min. (min ⁻¹)
-------------------------------	---

If the engine speed is not within this range, consult your authorized Suzuki Marine Dealer to determine which propeller size is best for you.

If you change propellers, be sure to perform the above check again, to confirm that the engine speed under full throttle is within the specified range.

PROPELLER INSTALLATION

⚠ WARNING

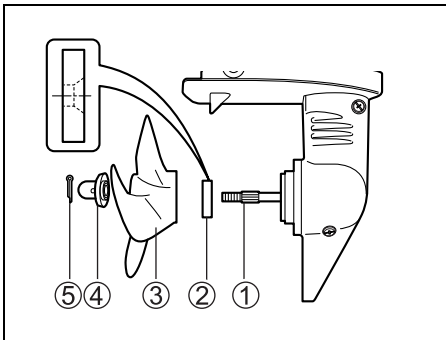
Failure to take proper precautions when installing or removing the propeller can result in severe personal injury.

When installing or removing the propeller:

- Always shift into “Neutral” and remove the emergency stop switch lock plate so that the motor cannot be started accidentally.
- Wear gloves to protect hands, and “lock” the propeller by placing a block of wood between the blades and the anti-cavitation plate.

To install a propeller on your outboard motor, use the following procedure:

1. Coat the propeller shaft splines ① liberally with Suzuki water resistant grease to help prevent corrosion.
2. Place the stopper ② on the shaft.
3. Align the propeller ③ with the propeller shaft splines and slide the propeller onto the shaft.
4. Screw on the propeller nut ④ and tighten it. Align the hole in the propeller nut with the hole in the shaft, then insert the cotter pin ⑤ and bend it so that it can't come off.

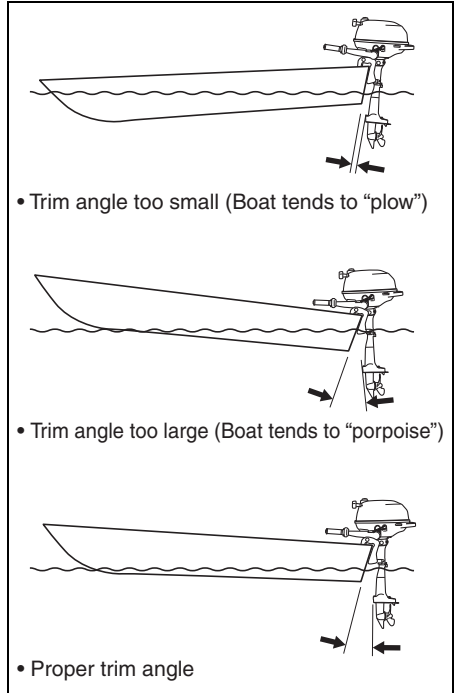


To remove the propeller, reverse the above procedure.

ADJUSTMENTS

TRIM ANGLE ADJUSTMENT

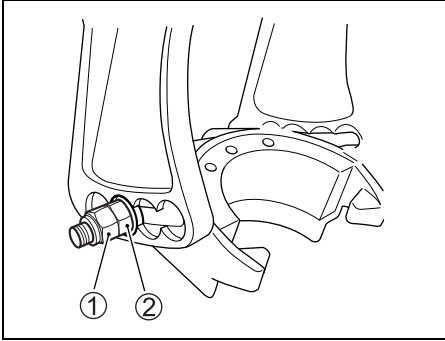
To help maintain steering stability and good performance, always maintain the proper trim angle as shown in the illustration. The appropriate trim angle varies depending on the combination of the boat, engine, and propeller, as well as operating conditions.



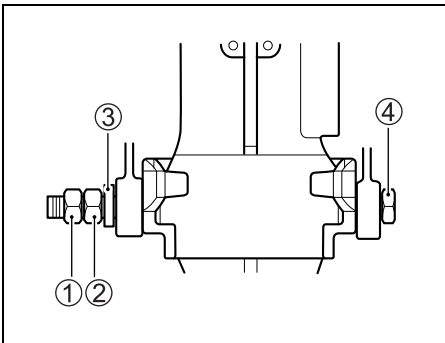
Make a test run in the boat to determine if the trim angle needs to be adjusted.

To adjust the trim angle:

1. Lock the motor in the fully tilted up position. (Refer to the TILT UP LOCK ARM section.)
2. Turn the lock nut ① counterclockwise while holding the nut ②. Loosen the nut ②.



3. Pull the spacer ③ and tilt pin ④ out to the limit on both sides of the swivel bracket.



4. Reposition the tilt pin in the desired holes.
5. Push the spacer ③ and tilt pin ④ back in and tighten the nut ② and locknut ①.
6. Lower the motor back down.

To lower the bow, move the pin towards the boat. To raise the bow, move the pin away from the boat.

After you have made an adjustment to the trim angle, make another test run to make sure you have adjusted it to the correct angle.

▲ WARNING

Trim angle greatly affects steering stability. If the trim angle is too small, the boat may “plow” or “bow steer”. If the trim angle is too large, the boat may “chine walk” from side to side or “porpoise” up and down. These conditions, which result in loss of steering control, can cause occupants to be thrown overboard.

Always maintain proper trim angle based on the combination of your boat, engine, and propeller, as well as operating conditions.

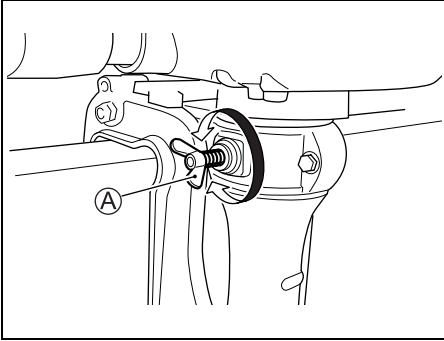
▲ WARNING

If you operate the motor with the tilt pin removed, you may not be able to control steering as expected.

Do not operate the motor with the tilt pin removed.

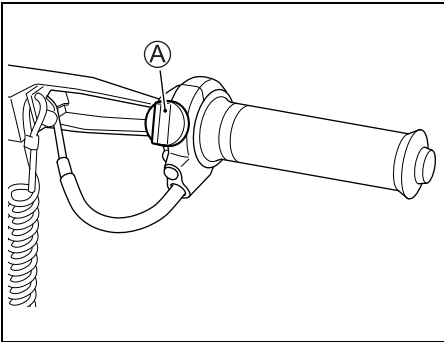
STEERING TENSION ADJUSTMENT

The steering on your outboard motor should be smooth and not tight. Adjust the steering tension so that there is only a slight resistance to steering movement. To increase the steering tension, turn the steering tension adjuster Ⓐ clockwise. To decrease the steering tension, turn the steering tension adjuster counterclockwise.



THROTTLE TENSION ADJUSTMENT

The tension of the throttle control grip can be adjusted according to your preference. To increase the tension, turn the throttle tension adjuster Ⓐ clockwise. To decrease the tension, turn the adjuster counterclockwise.

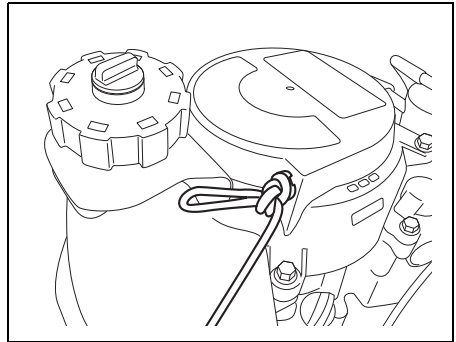


IDLE SPEED ADJUSTMENT

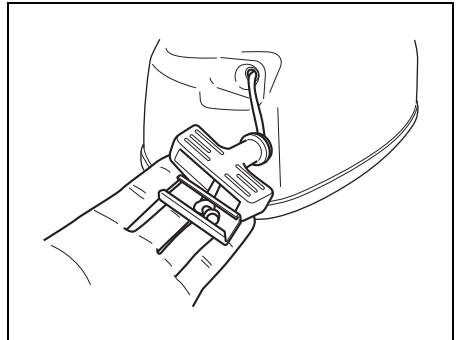
The idle speed of your outboard motor has been set by your dealer. If it is necessary to adjust the idle speed, use the following procedure:

The part of motor cover on DF2.5 is used as the holder of recoil starter grip, too. Idle speed adjustment is recommended to be made by the Suzuki authorized dealer. The motor cover can not be completely removed unless you first remove the starter grip. Please refer to the steps mentioned below.

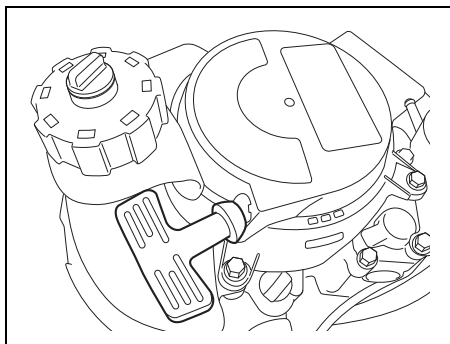
1. Slightly remove the motor cover.
2. Tie a knot in the rope inside of the motor cover, in order to prevent the rope binding onto the recoil reel when the starter grip is off.



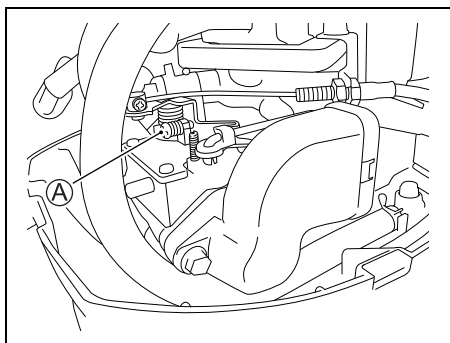
3. Take off the starter grip.
4. Completely remove the motor cover.



5. Install the starter grip to the end of rope.
6. Loosen a knot in the rope.



7. Start the engine. (Refer to starting the engine section)
8. Warm up the engine for about 5 minutes.
9. Make sure that the motor is in "NEUTRAL" and the throttle control grip is fully closed.
10. Turn the idle adjustment screw (A) clockwise to increase idle speed or counterclockwise to decrease idle speed.
11. Stop the engine.



Idle speed (in Neutral)	1800 – 2000 r/min. (min ⁻¹)
----------------------------	--

12. Reinstall the motor cover by the opposite steps of the above 1 to 6.

NOTE:

If idle speed cannot be set within the specified range, contact your authorized Suzuki Marine Dealer.

HIGH ALTITUDE OPERATION OF YOUR OUTBOARD MOTOR

Your outboard motor is equipped with a carburetor that is designed for proper engine operation at various altitudes up to 5000 feet (1500 meters) elevation. If you operate your outboard motor at higher elevations, the change in air pressure may affect the standard carburetor air-fuel ratio and could make the engine run too rich. This could decrease engine performance, increase fuel consumption, cause difficult warm starting, and may cause an increase in exhaust gas emissions.

If you always operate your outboard motor at altitudes above 5000 feet (1500 meters), an alternative carburetor jetting specification is available that will adjust the air-fuel ratio to adjust for the change in air pressure resulting from high-altitude operation. These parts are available from Authorized Suzuki Marine Dealers and are designed for correct operation in your motor. If you need to apply these parts to your outboard motor, Suzuki recommends that you have them installed by an Authorized Suzuki Marine Dealer, or a qualified service professional.

NOTICE

If you operate an outboard motor at low altitude (below 5000 feet (1500 meters)) when the engine has been modified for high-altitude operation, the engine could be damaged from overheating, or there could be excessive exhaust gas emissions.

Be sure to reinstall standard-specification jetting in any outboard that has been modified for high-altitude operation prior to operating the outboard at low altitude (below 5000 feet (1500 meters)).

OPERATION OF TILTING SYSTEMS

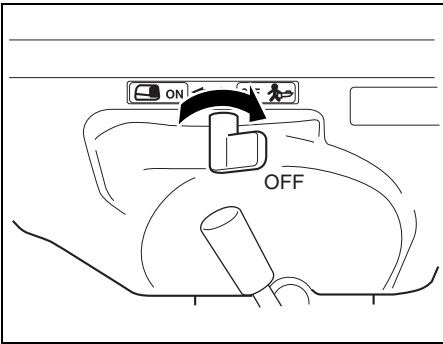
TILT UP LOCK ARM

The tilt up lock arm is used to hold the motor in the fully tilted up position.

▲ WARNING

If you do not take proper precautions when tilting up the motor, fuel may leak out.

For motors with a built-in fuel tank, be sure to turn the fuel cock lever to the right (off position) and tighten the air-vent screw on the fuel filler cap before tilting up the motor.



FULL TILT UP POSITION

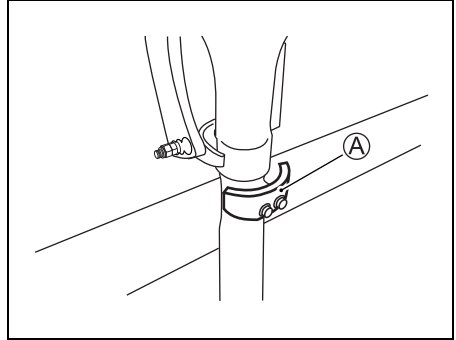
To hold the motor in the fully raised position:

▲ WARNING

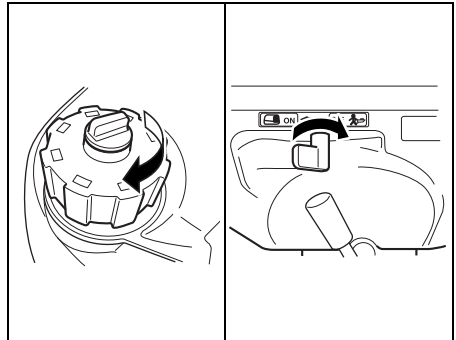
If you place your hands near the mounting bracket or under the motor when tilting it, your hands can be crushed if the motor slips from your grasp.

Never place your hands near the mounting bracket or under the motor when tilting it.

1. Shift into "NEUTRAL".
2. Turn the motor to the front, to free the reverse thrust stopper (A).



3. Turn the fuel cock lever to the right (off position) and tighten the air-vent screw on the fuel filler cap.

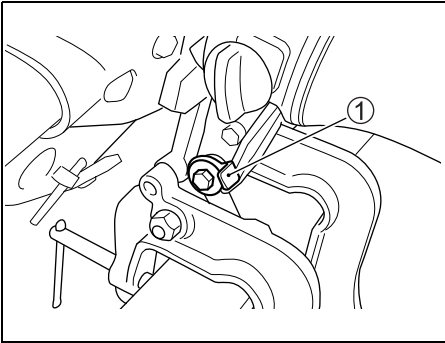
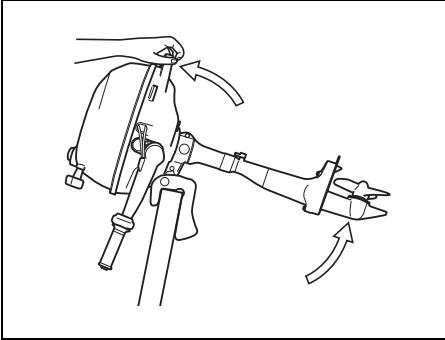


▲ WARNING

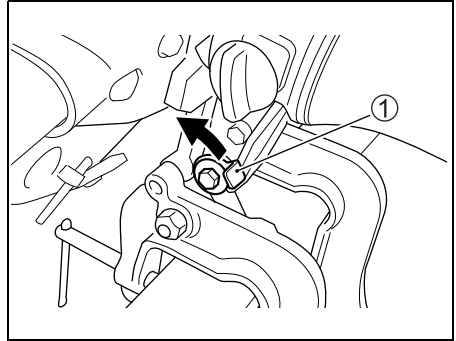
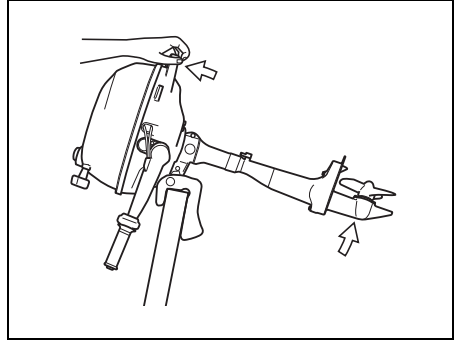
If you do not take proper precautions when tilting up the motor, fuel may leak out.

For motors with a built-in fuel tank, be sure to turn the fuel cock lever to the right (off position) and tighten the air-vent screw on the fuel filler cap before tilting up the motor.

4. Grab the handle on the back of the motor lower cover and tilt the motor all the way up until it is automatically locked in the fully tilted up position by the tilt up lock arm ①.



To lower the motor back down, pull the motor slightly toward you, pull up on the tilt up lock arm ① and slowly let the motor down.



NOTICE

If you use the throttle grip handle to raise or lower the motor, the handle may break.

Never use the throttle grip handle to raise or lower the motor.

NOTICE

If you use the tilt up lock arm to hold the motor in the fully tilted position for trailering, the tilt up lock arm could release resulting in damage to the motor.

When trailering your boat, never use the tilt up lock arm to hold the motor in the fully tilted position.

INSPECTION BEFORE BOATING

▲ WARNING

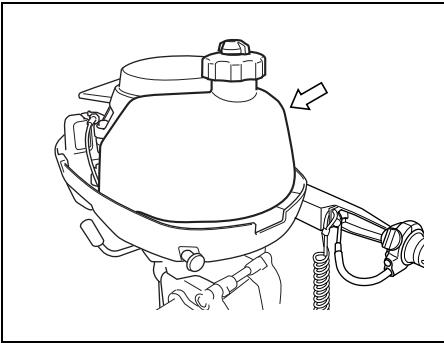
Failure to inspect your boat and motor before beginning a trip can be hazardous.

Before boating, always perform the inspections described in this section.

It is important to make sure that your boat and motor are in good condition and that you are properly prepared for an emergency. Always perform the following checks before you begin boating:

- Check that you have enough fuel for the intended run.

Fuel capacity: 1.0 L (0.26/0.22 US/Imp gal)



- Check the level of engine oil in the sump.

NOTICE

Running the engine with an insufficient amount of oil can cause serious engine damage.

Always check the oil level before each trip and add oil if necessary.

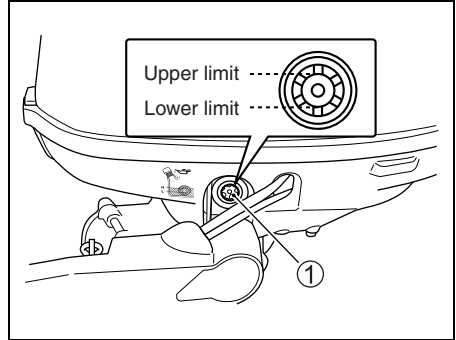
To check the oil level:

NOTE:

To avoid an incorrect assessment of engine oil level, check the level only when the engine has cooled.

1. Place the motor in a vertical position.
2. Check the engine oil level through the oil level inspection window ①.

The oil should be between the upper and lower limits.



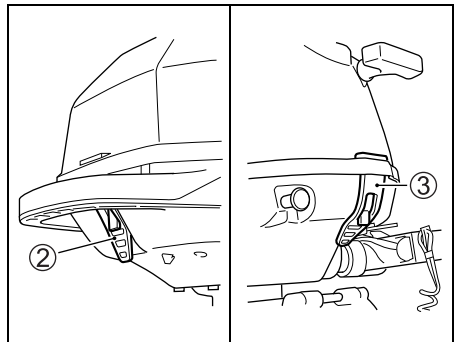
NOTE:

If the engine oil is contaminated or discolored, replace with fresh engine oil (Refer to INSPECTION AND MAINTENANCE/Engine oil section).

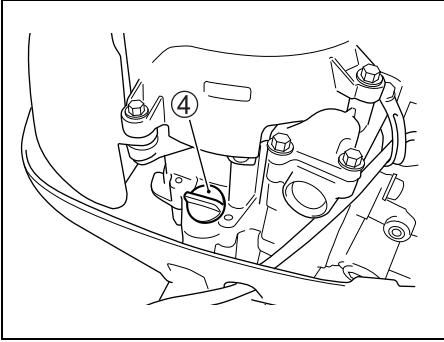
Seeing the window ①, add enough oil to raise the level to the upper limit.

To add the engine oil:

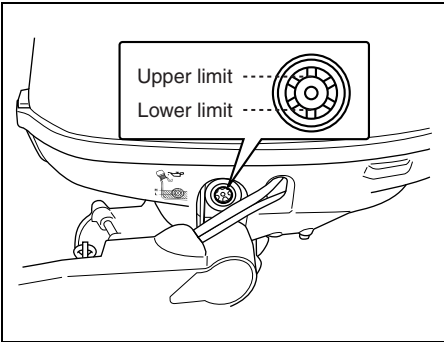
1. Remove the motor cover by unlocking the fasteners ② and ③.



2. Remove the oil filler cap ④.



3. Add the recommended engine oil until the oil level reaches the upper limit.



NOTICE

Running the engine with an excessive amount of oil can damage the engine.

Do not overfill the engine with oil.

4. Tighten the oil filler cap securely.

- **Visually check the propeller to make sure it is not damaged.**
- **Make sure the motor is securely mounted to the transom.**
- **Make sure the tilt pin is securely installed in the proper position.**
- **Make sure the starter rope is free from any evidence of fraying or wear.**
- **Make sure you have the boating safety and emergency equipment on board.**

BREAK-IN

Proper operation during the break-in period will help ensure maximum life and performance from your engine. The following guidelines will explain proper break-in procedures.

NOTICE

Failure to follow the break-in procedures described below can result in severe engine damage.

Be sure to follow the engine break-in procedures described below.

Break-in period: 10 hours

Break-in procedure

1. For the initial 2 hours:
Allow sufficient idling time (about 5 minutes) for the engine to warm up after cold engine starting.

NOTICE

Running at high speed without sufficient warm-up may cause severe engine damage such as piston seizure.

Always allow sufficient idling time (5 minutes) for the engine to warm-up before running at high speed.

After warming up, run the engine at idling speed or the lowest in-gear speed for about 15 minutes.

During the remaining 1 hour and 45 minutes, if safe boating conditions permit, operate the engine in gear at less than 1/2 (half) throttle (3000 r/min.).

NOTE:

You may throttle up beyond the recommended operating range to plane your boat, then immediately reduce the throttle to the recommended operating range.

2. For the next 1 hour:
Safe boating conditions permitting, operate the engine in gear at 4000 r/min. or at three-quarter throttle. Avoid running the engine at full throttle.
3. Remaining 7 hours:
Safe boating conditions permitting, operate the engine in gear at the desired engine speed.
You may occasionally use full throttle; however do not operate the engine continuously at full throttle for more than 5 minutes at any time.

NOTICE

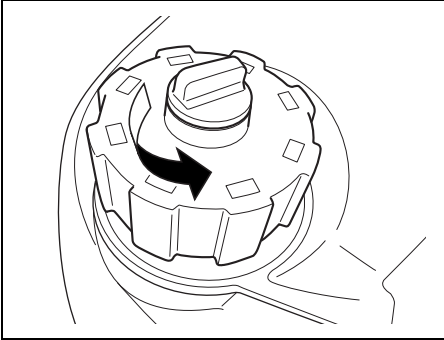
Running continuously at full throttle for more than 5 minutes at a time during the last 7 hours of break-in operation may cause severe engine damage such as seizure.

During the last 7 hours of break-in operation, do not operate at wide open throttle for more than 5 minutes at a time.

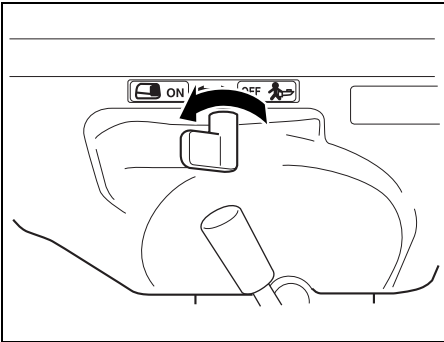
OPERATION

BEFORE ATTEMPTING TO START THE ENGINE

1. Make sure the motor has been lowered into the water.
2. Turn the air-vent screw on top of the fuel tank cap fully counterclockwise to open the vent.

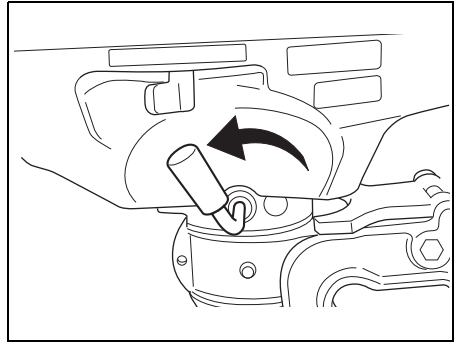


3. Turn the fuel cock lever to the left.



NOTE:
When turning the fuel cock lever to the left, fuel can flow from the built-in tank.

4. Make sure that the motor is in "NEUTRAL".

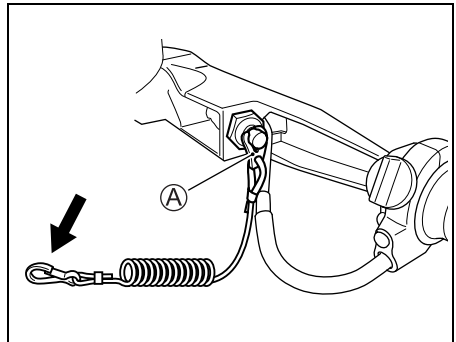


⚠ WARNING

This outboard does not have a start-in-gear protection system. If the shift lever is not in the "NEUTRAL" position, the boat will move suddenly when the engine is started. This can cause personal injury.

Make sure that the shift lever is in the "NEUTRAL" position before attempting to start the engine.

5. Make sure the lock plate (A) is in place and the emergency stop switch cord is fastened securely to your wrist or an appropriate item of clothing such as your belt.



▲ WARNING

Failure to properly attach the emergency stop switch cord or to take proper precautions to help ensure that the emergency stop switch works as intended may result in serious injury or death to the operator or passengers.

Always take the following precautions:

- Make sure that the emergency stop switch cord is fastened securely to the operator's wrist or to an appropriate clothing area (belt etc.).
- Ensure that no obstructions impede or restrict emergency stop switch operation.
- Be careful not to pull the stop switch cord or knock out the lock plate during normal operation. The motor will stop abruptly, and the loss of forward motion may unexpectedly throw occupants forward.

NOTE:

There is a spare plastic lock plate for temporary use only. Remove it from the cord and place it in a safe place on the boat. However, if you lose the original cord and lock plate, they should be replaced as soon as possible.

STARTING THE ENGINE

▲ WARNING

Exhaust gas contains carbon monoxide, a dangerous gas that is difficult to detect because it is colorless and odorless. Breathing carbon monoxide can cause death or severe injury.

Never start the engine or let it run indoors or where there is little or no ventilation.

NOTE:

If the engine fails to start, check the emergency stop switch lock plate. If the lock plate is not in position, the engine cannot be started.

NOTE:

Perform the following prior to starting if your motor is brand-new or there is no fuel in the fuel tank:

Fill the fuel tank with fresh gasoline.

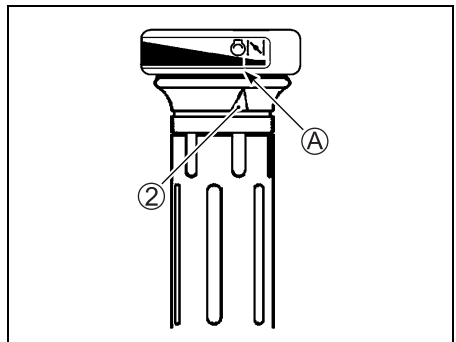
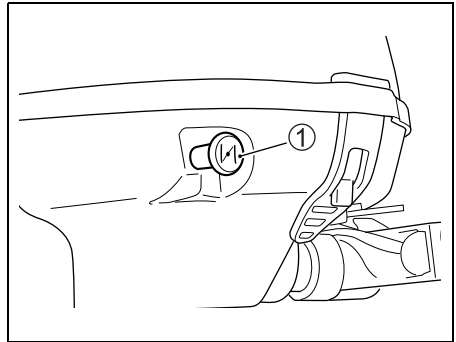
Pull the starter grip sharply several times to fill the fuel line with fuel, then follow the normal starting procedure steps.

1. If the engine is cold:

Pull the choke knob ① fully out. Align the arrow mark ② on the throttle control grip with the position A.

If the engine is warm:

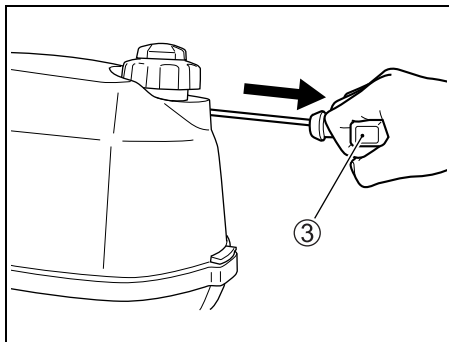
Align the arrow mark ② on the throttle control grip with the position A. Do not use the choke.



NOTE:

You may need to use the choke when restarting a warm engine. If your engine does not start quickly when warm, follow the procedure for cold starting.

- Firmly grasp the starter grip ③ and pull slowly until resistance is felt. When you feel it engage, pull the rope sharply to start the engine. Do not release the rope when it is pulled out. Hold the rope and allow it to recoil slowly.



⚠ WARNING

This outboard does not have a start-in-gear protection system. If the shift lever is not in the “NEUTRAL” position, the boat will move suddenly when the engine is started. This can cause personal injury.

Make sure that the shift lever is in the “NEUTRAL” position before attempting to start the engine.

NOTICE

If you pull the starter grip while the engine is running, the starter system can be damaged.

Never pull the starter grip while the engine is running.

- After starting, use the throttle control grip to bring the engine to idle.
- Push the choke knob in.

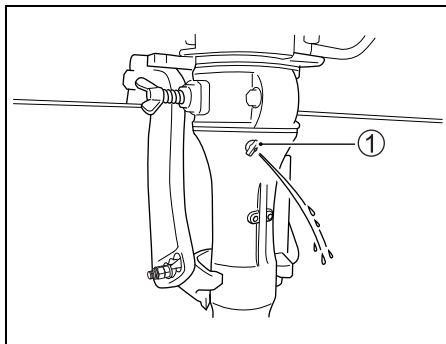
NOTE:

In cold weather, you may have to leave the choke knob out for a longer period of time for the engine to warm up.

- Warm up the engine for about 5 minutes.

Cooling water check

As soon as the engine starts, water should spray out of the pilot water hole ①, indicating that the water pump and cooling system are working properly. If you notice that water does not spray out of the pilot water hole, stop the engine as soon as possible and consult your authorized Suzuki Marine Dealer.



NOTICE

Never operate your outboard motor when there is no water coming out of the pilot water hole, or severe damage can result.

After starting the engine, check to make sure that there is water coming out of the pilot water hole.

⚠ WARNING

Operating the boat when the emergency stop switch is not operating properly can be hazardous.

Before starting off, check to make sure that the emergency stop switch operates properly.

EMERGENCY STARTING

If you must get the engine running, but are unable to do so because of recoil starter failure, you can use the emergency starting procedure to start the engine.

⚠ WARNING

If you touch electrical components when rope-starting the engine, you can get a severe electrical shock.

When rope-starting the engine, be careful not to touch electrical components such as ignition coils or spark plug leads.

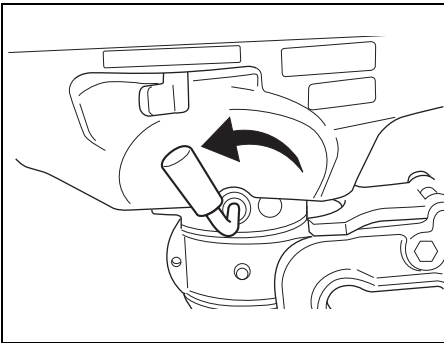
To start the engine when the starter system fails:

1. Make sure that the motor is in "NEUTRAL" and the emergency stop switch lock plate is removed.

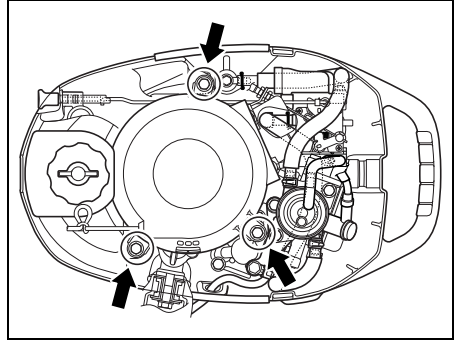
⚠ WARNING

This outboard does not have a start-in-gear protection system. If the shift lever is not in the "NEUTRAL" position, the boat will move suddenly when the engine is started. This can cause personal injury.

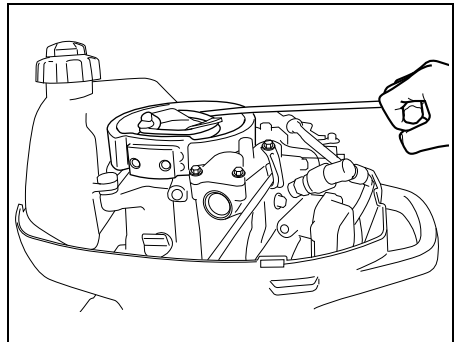
Make sure that the shift lever is in the "NEUTRAL" position before attempting to start the engine.



2. Remove the motor cover.
3. Remove the bolts securing the recoil starter in place.



4. Lift off the recoil starter assembly. Re-tighten the fuel tank by using the recoil starter bolts removed.
5. Tie a knot in one end of the emergency starter rope located in the tool kit. Tie the other end around the screw-driver handle in the tool kit.
6. Hook the knotted end of the rope in the pulley notch and wind the rope around the pulley in a clockwise direction.
7. Put the emergency stop switch lock plate in place.
8. After following the steps of the normal starting procedure, pull the emergency starter rope sharply to start the engine.



⚠ WARNING

If you attempt to reinstall the recoil starter assembly or motor cover after starting the engine you can be injured.

Do not attempt to reinstall the recoil starter assembly or motor cover after starting the engine.

⚠ WARNING

When the engine is running, there are many moving parts that could cause severe personal injury.

When the engine is running, keep your hands, hair, clothing, etc., away from the engine.

NOTE:

Be sure to have the starter system repaired as soon as possible. You should not continue to use the emergency starting procedure for routine engine starting.

SHIFTING AND SPEED CONTROL

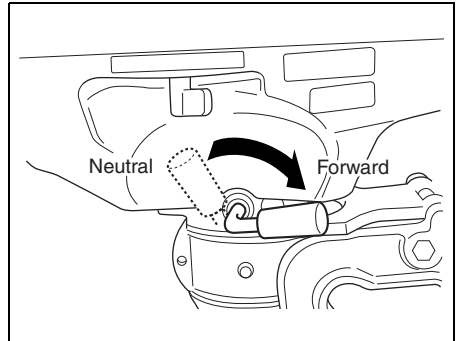
NOTICE

If you shift gears when the engine is not running, the shifting mechanism can be damaged.

Avoid shifting gears when the engine is not running.

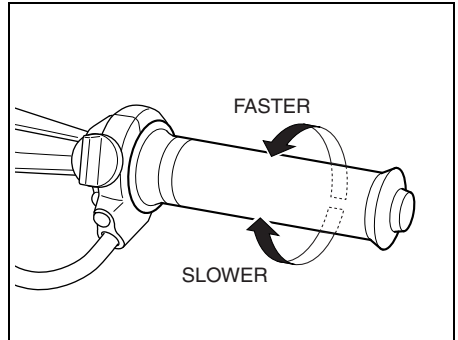
Shifting

To shift the motor into "FORWARD", set the throttle control grip to the idle position and pull the shift lever towards you firmly.



Speed Control

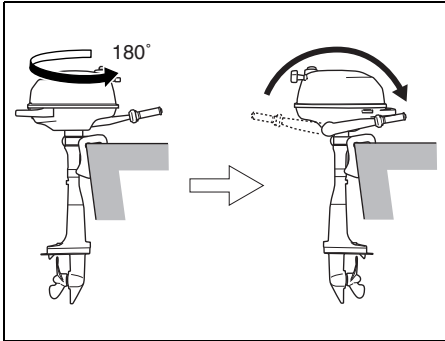
After shifting, control the engine speed by twisting the throttle control grip.



REVERSE OPERATION

To operate the boat in the reverse direction:

1. Set the throttle control grip to the idle position.
2. Turn the motor completely around with the steering handle and then fold it towards you.



3. Operate the motor at a low speed.

NOTICE

If you allow your motor to hit bottom, your outboard motor or boat could be damaged. When the motor hits bottom while operating in the reverse direction, the shock acts directly on the boat transom, and both the motor and the boat could be damaged.

Do not allow your motor to hit bottom, particularly when operating in the reverse direction.

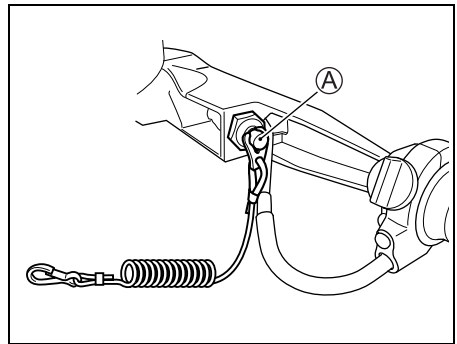
STOPPING THE ENGINE

NOTE:

When it is necessary to stop the engine in an emergency, pull the emergency stop switch lock plate out of the emergency stop switch by pulling the emergency stop switch cord

To stop the engine:

1. Turn the throttle control grip to the idle position.
2. Shift into "NEUTRAL".
3. After operating at full throttle, cool off the engine a few minutes by allowing it to idle or troll at low speed.
4. Push and hold in the stop button (A) until the engine stops.



5. After stopping the engine, turn the fuel cock lever to right.

▲ WARNING

If you leave the motor stopped for a long period of time with the fuel cock lever in the on position, fuel can leak out.

Turn the fuel cock lever to the off position whenever you leave the motor stopped for a long period of time.

6. Turn the air-vent screw on the fuel tank cap clockwise to shut the vent.

NOTE:

To make sure that the emergency stop switch operates properly, stop the engine occasionally by pulling out the lock plate, while operating the engine at idling speed.

MOORING

The motor should be tilted up out of the water when you moor the boat in shallow water or if the motor will not be used for some time, to protect it from damage by underwater obstacles at low tide or corrosion from salt water.

Refer to the TILT UP LOCK ARM section for details on how to tilt up the motor.

NOTICE

Improperly securing your boat may cause damage to your boat or motor, or other property damage.

Do not allow your motor to rub against quay walls, piers or other boats when the boat is tied up.

OPERATION IN SHALLOW WATER

When operating your outboard motor in shallow water, you should only operate the motor at slow speeds.

NOTICE

If you do not take proper precautions when operating your boat in shallow water, your outboard motor or boat could be damaged.

Do not allow your motor to hit bottom, particularly when operating it in the reverse direction, or serious damage can result. When the motor hits bottom while operating in the reverse direction, the shock acts directly on the transom, and both the motor and the boat could be damaged.

OPERATION IN SALT WATER

After operating the motor in salt water, you should flush the water passages with clean, fresh water as outlined in the FLUSHING THE WATER PASSAGES section. If you do not flush the water passages, salt can corrode the motor and shorten its life.

OPERATION IN FREEZING WEATHER

When operating your outboard motor in freezing temperatures, you should keep the lower unit submerged in the water at all times.

When taking the motor out of the water, stand it up in a vertical position until the cooling system drains completely.

NOTICE

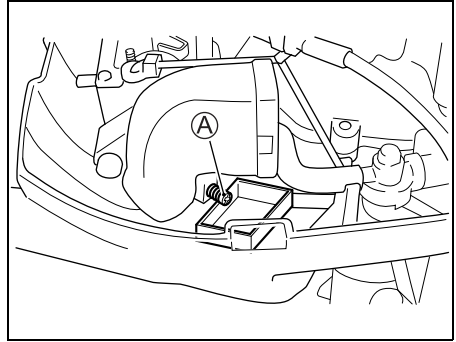
If you leave your outboard motor out of the water in freezing temperatures with water still in the cooling system, the water can freeze and expand, causing severe damage to the motor.

When your outboard is in the water in freezing temperatures, keep the lower unit submerged in the water at all times. When the motor is stored out of the water in freezing temperatures stand it up in the vertical position so that the cooling system drains completely.

MOTOR REMOVAL AND TRANSPORTING

MOTOR REMOVAL

1. Make sure that the engine has stopped completely.
2. Turn the fuel cock lever to the right.
3. Tighten the built-in fuel tank cap and its air-vent screw.
4. Drain the gasoline from the carburetor as follows:
 - (1) Remove the motor cover.
 - (2) Loosen the carburetor drain screw (A) and drain the gasoline into a suitable container.



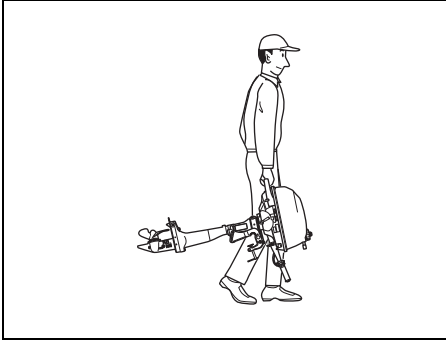
▲ WARNING

Gasoline is extremely flammable and toxic. It can cause a fire and can be hazardous to people and pets.

Use a proper, safe container to store any gasoline drained from the outboard motor. Keep gasoline away from sparks, flames, people, and pets.

(3) After draining, retighten the drain screw.

5. Loosen the clamp screws.
6. Lift the motor off the transom.
7. Stand the motor vertically and drain the water from the lower unit.
8. To carry, hold the motor by gripping the lower cover handle.

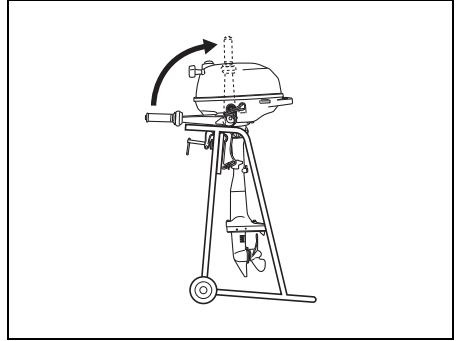


MOTOR TRANSPORTING

When transporting the motor, place the motor in either a vertical or horizontal position.

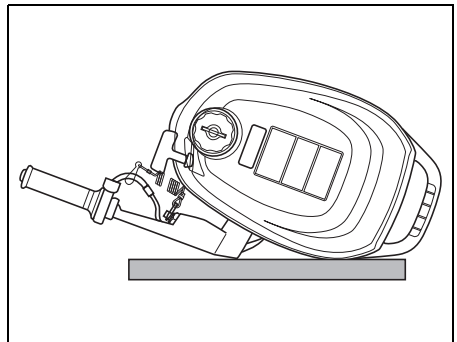
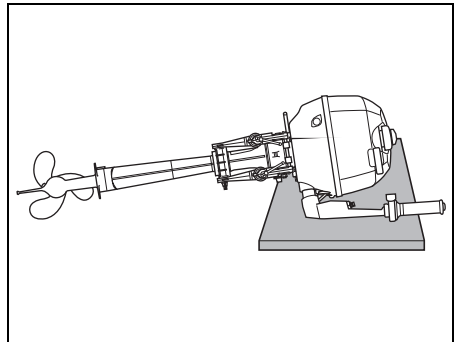
Vertical transport:

Raise the tiller handle and attach the clamp bracket to a stand by securing the two clamp screws.



Horizontal transport:

Raise the tiller handle and rest the motor on a case protector with the port side downwards as shown.

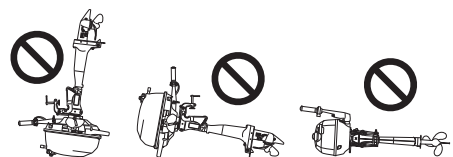


NOTICE

If you do not take proper precautions when transporting your outboard, it can be damaged.

- Do not rest the engine in any of the positions shown below, as water may enter the cylinder from the sump or the outer casings may be damaged.
- Do not place the engine on its side before the cooling water has drained from it completely, as water may enter the cylinder through the exhaust port and cause problems.

INCORRECT



NOTICE

If you let the lower unit of your outboard sit higher than the power head during transporting or storing, water may trickle into the power head, causing damage to the engine.

Never let the lower unit sit higher than the power head when transporting or storing your outboard.

INSPECTION AND MAINTENANCE

NOTICE

MAINTENANCE, REPLACEMENT OR REPAIR OF EMISSION CONTROL DEVICES AND SYSTEMS MAY BE PERFORMED BY ANY MARINE SI ENGINE REPAIR ESTABLISHMENT OR INDIVIDUAL USING ANY PART WHICH HAS BEEN CERTIFIED UNDER THE PROVISIONS IN THE CLEAN AIR ACT Sec. 207 (a) (2).

MAINTENANCE SCHEDULE

It is important to inspect and maintain your outboard motor regularly. Follow the chart below. At each interval, be sure to perform the indicated service. Maintenance intervals should be judged by number of hours or number of months, whichever comes first.

WARNING

Exhaust gas contains carbon monoxide, a dangerous gas that is difficult to detect because it is colorless and odorless. Breathing carbon monoxide can cause death or severe injury.

Never start the engine or let it run indoors or where there is little or no ventilation.

Interval Item to be serviced	Initial 20 hrs. or 1 month	Every 50 hrs. or 3 months	Every 100 hrs. or 6 months	Every 200 hrs. or 12 months
Spark plug	–	–	I	R
Breather & Fuel line	I	I	I	I
Engine oil	R	–	R	R
Gear oil	R	–	R	R
Lubrication	–	I	I	I
Anodes (external)	–	I	I	I
* Anodes (internal Powerhead)	–	–	I	I
* Fuel filter	–	I	I	I
* Ignition timing	–	–	–	I
* Carburetor	I	–	I	I
* Idle speed	I	–	–	I
* Valve clearance	I	–	–	I
* Water pump	–	–	–	I
* Water pump impeller	–	–	–	R
* Propeller nut & pin	I	–	I	I
* Bolts & Nuts	T	–	T	T

I: Inspect and clean, adjust, lubricate, or replace, if necessary T: Tighten R: Replace

▲ WARNING

Improper maintenance or failure to perform recommended maintenance can be hazardous. Poor maintenance or lack of maintenance increases the chance of an accident or equipment damage.

Be sure to have maintenance performed according to the schedule in the above chart. Suzuki recommends that only your authorized Suzuki marine dealer or a qualified service mechanic perform maintenance on those items in the chart above which are marked with an asterisk (*). You may perform maintenance on the unmarked items by referring to the instructions in this section if you have mechanical experience. If you are not sure whether you can successfully complete any of the unmarked maintenance jobs, ask your authorized Suzuki marine dealer to do the maintenance for you.

▲ WARNING

The safety of you and your passengers depends on how well you maintain your outboard motor.

Follow all inspection and maintenance instructions carefully. If you do not have prior mechanical experience, do not attempt to perform maintenance on your outboard motor. You could be injured or may damage the motor.

NOTICE

The maintenance intervals in the chart were established for normal usage of your outboard motor. If your outboard motor is used under severe conditions such as frequent full throttle operation or frequent operation in muddy, silty, sandy, acidic, or shallow water, you may need to perform maintenance more often than indicated in the chart. Failure to perform maintenance more frequently could result in damage.

Consult your authorized Suzuki marine dealer regarding appropriate maintenance intervals for your usage conditions. When replacing parts on your outboard motor, Suzuki strongly recommends that you use genuine Suzuki parts or their equivalent.

SPARK PLUG

Your outboard motor comes equipped with the following "standard" spark plug for normal usage.

Standard spark plug	NGK CR6HSA
---------------------	------------

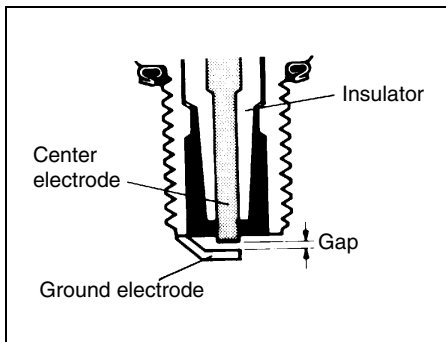
NOTICE

Non-resistor types of spark plugs will interfere with the function of the electronic ignition, causing misfiring, or causing problems with other electronic boat equipment and accessories.

Use **ONLY** resistor type spark plugs in your outboard motor.

Your authorized Suzuki Marine Dealer can determine if the standard spark plug is suitable for your type of motor usage by inspecting the color of the plug's porcelain center electrode insulator after operation.

If the plug tends to run hot (usually evidenced by whitening of the insulator or a burnt electrode), stop using your motor immediately as severe engine damage may result. If the plug tends to run cold (usually evidenced by blackening of the insulator or a wet electrode), performance may suffer. Ask your authorized Suzuki Marine dealer to evaluate either of these problems to determine the cause.



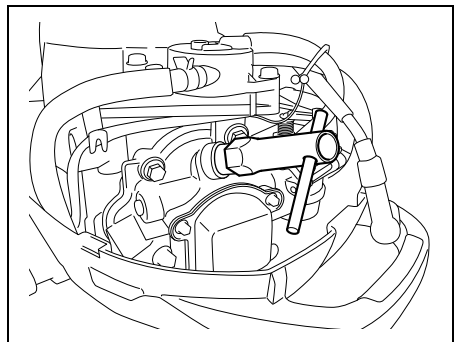
NOTICE

Use of improper spark plugs or improperly tightening spark plugs can cause severe engine damage.

- Do not experiment with other spark plug brands unless you can determine that they are directly equivalent to the specified brand, or you may experience engine damage which will not be covered under warranty. Note that aftermarket cross-reference charts may not be accurate.
- To install a spark plug; seat it as far as possible by hand, then use a wrench to tighten it to either the recommended torque setting or the specified rotation angle.

Tightening torque	
1.0 – 1.2 kg-m (7.2 – 8.7 lb-ft)	
Rotation angle	
New plug	1/2 – 3/4 of a turn
Re-use plug	1/12 – 1/8 of a turn

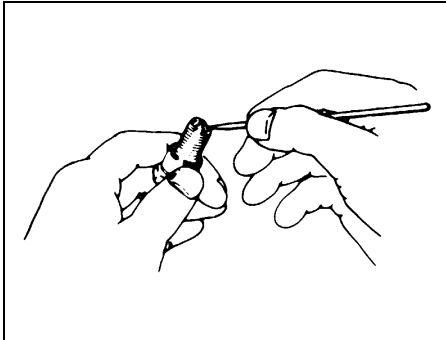
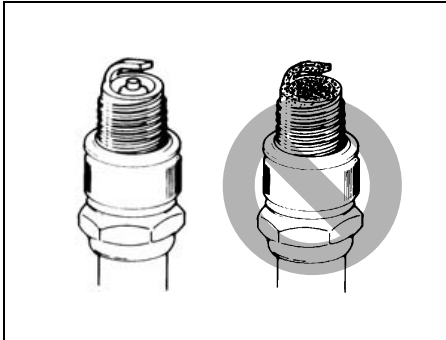
- Do not overtighten or cross-thread a spark plug, as this will damage the aluminum threads of the cylinder head.



To maintain a strong spark, you should clean and adjust the plug at the interval shown in the maintenance schedule.

Remove carbon deposits from the spark plug using a small wire brush or spark plug cleaner, and adjust the gap as follows:

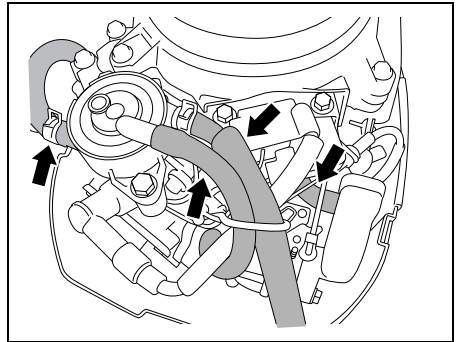
Spark plug gap	0.6 – 0.7 mm (0.024 – 0.028 in.)
----------------	-------------------------------------



If the electrode or insulator is damaged, or if either shows excessive wear, then the spark plug should be replaced.

BREATHER AND FUEL LINE

Inspect the breather and fuel line for leaks, cracks, swelling, or other damage. If the breather and fuel line are damaged in any way, they must be replaced. Consult your authorized Suzuki Marine dealer if it is necessary to replace them.



⚠ WARNING

Fuel leakage can contribute to an explosion or fire, resulting in serious personal injury.

Have your authorized Suzuki marine dealer replace the fuel line if there is any evidence of leaking, cracking or swelling.

ENGINE OIL

▲ WARNING

Never perform any ENGINE OIL procedure with the motor running, as serious injury can occur.

The motor must be shut off before any ENGINE OIL procedures are performed.

NOTICE

Extended trolling can reduce oil life. Your engine may be damaged if you do not change engine oil more frequently under this type of use.

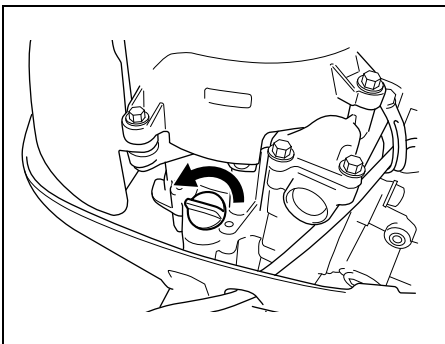
Change your engine oil more frequently if your engine is used for extended trolling.

Engine oil change

The oil should be changed when engine is warm so that the oil will drain thoroughly from the engine.

To change the engine oil:

1. Place the motor in a vertical position and remove the motor cover.
2. Remove the oil filler cap.

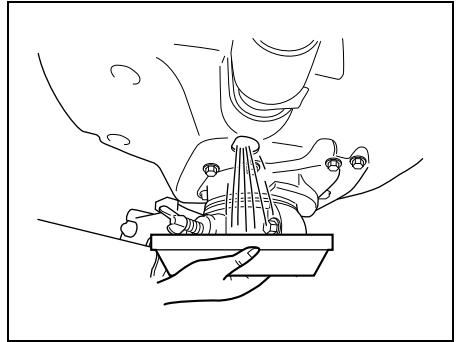


▲ CAUTION

The engine oil temperature may be high enough to burn your fingers when the drain plug is loosened.

Wait until the drain plug is cool enough to touch with bare hands before removing it.

3. Place a drain pan under the engine oil drain plug.
4. Remove the engine oil drain plug and gasket, then let the engine oil drain.



5. After draining, secure the engine oil drain plug with a new gasket.

NOTICE

A previously-used gasket may leak, resulting in engine damage.

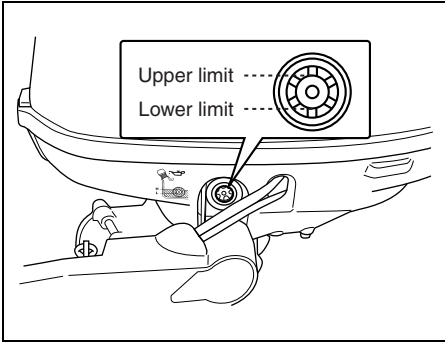
Do not re-use gaskets. Be sure to always use new gaskets.

6. Fill with recommended engine oil to the upper limit.

Oil capacity: 0.38 L (0.40/0.33 US/Imp. qt.)

Engine oil: SAE (or NMMA FC-W) 10W-40
API (or NMMA FC-W) Classification SG, SH, SJ, SL, SM

7. Check the engine oil level. Refer to the INSPECTION BEFORE BOATING section.



NOTE:

To avoid incorrect measurement of engine oil level, check oil level only when the engine has cooled.

8. Reinstall the oil filler cap.

⚠ WARNING

Engine oil can cause injury to people or pets. Repeated, prolonged contact with used engine oil may cause skin cancer. Even brief contact with used oil may irritate skin.

- Keep new and used oil away from children and pets.
- Wear a long-sleeve shirt and water-proof gloves when handling oil.
- Wash with soap if oil contacts your skin.
- Launder any clothing or rags that are wet with oil.

NOTE:

Recycle or properly dispose of used engine oil. Do not throw it in the trash, pour it on the ground, down a drain, or into the water.

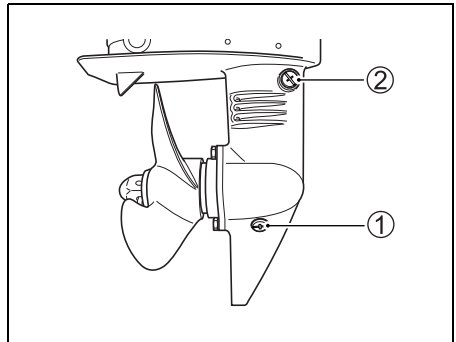
GEAR OIL

To check the gear oil level, place the motor in an upright position, remove the gear oil level plug and look into the hole. The oil level should be at the bottom edge of the hole. If the oil level is low, add the specified gear oil until the level reaches the bottom edge of the hole. Then, reinstall and tighten the plug.

Periodic gear oil replacement is essential for long life of your outboard motor.

To change the gear oil:

1. Make sure the motor is in an upright position. Place a drain pan under the lower casing.
2. Remove the gear oil drain plug ①, then remove the gear oil level plug ②.



3. After the oil has drained completely, inject the specified gear oil into the lower drain hole until it just starts to come out of the upper level hole. Approximately 70 ml (2.4/2.5 US/Imp. oz.) will be required.
4. Reinstall and tighten the gear oil level plug ②, then quickly reinstall and tighten the gear oil drain plug ①.

NOTE:

To avoid insufficient injection of gear oil, check the gear oil level 10 minutes after doing the procedure in the step 4. If the oil level is low, slowly inject the gear oil up to the correct level.

⚠ WARNING

Gear oil can cause injury to people or pets. Repeated, prolonged contact with used gear oil may cause skin cancer. Even brief contact with used oil may irritate skin.

- Keep new and used oil away from children and pets.
- Wear a long-sleeve shirt and waterproof gloves when handling oil.
- Wash with soap if oil contacts your skin.
- Launder any clothing or rags that are wet with oil.

NOTE:

Recycle or properly dispose of used gear oil. Do not throw it in the trash, or pour it on the ground, down a drain, or into the water.

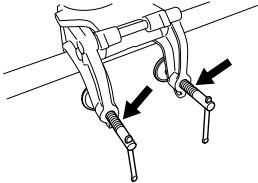
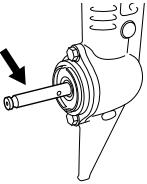
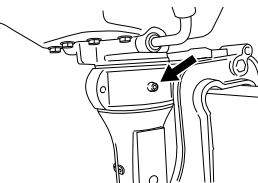
NOTICE

If fishing line wraps around the rotating propeller shaft, the propeller shaft oil seal can become damaged and can allow water to enter the gear case causing severe damage.

If the gear oil has a milky color, it is contaminated with water. Immediately contact your authorized Suzuki marine dealer for advice. Do not operate your outboard until the oil is changed and the cause of the contamination is corrected.

LUBRICATION

Proper lubrication is important for the safe, smooth operation and long life of each working part of your outboard motor. The following chart shows the lubrication points of your motor and the recommended lubricant:

LOCATION	LUBRICANT
 Clamp screw	Marine-grade water resistant grease
 Propeller shaft	
 Swivel bracket	Marine-grade water resistant grease (Grease Gun)

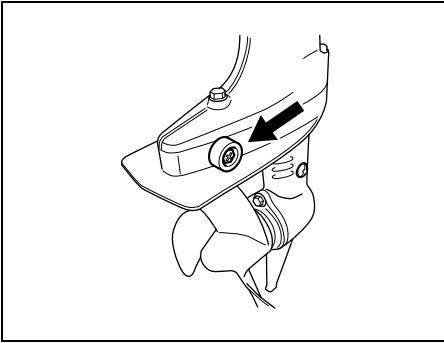
Your authorized Suzuki Marine Dealer may also have additional recommendations due to regional climate or operating conditions. Please consult him for advice.

CORROSION PREVENTION

ANODE

The motor is protected from exterior corrosion by an anode. This anode controls electrolysis and help prevent corrosion. The anode will corrode in place of the parts they are protecting. You should periodically inspect the anode and replace it when 2/3 of the metal has corroded away.

In certain areas of the country, the water is unusually harsh on metal. Additional anti-corrosion measures may be helpful under those conditions. Consult your authorized Suzuki Marine Dealer for details.



NOTICE

If anodes are not properly maintained, underwater aluminum surfaces (such as the lower unit) will suffer galvanic corrosion damage.

- Periodically inspect anodes to make sure they have not become detached.
- Do not paint anodes, as this will render them ineffective.
- Periodically clean anodes with a wire brush to remove any coating which might decrease their protective ability.

NOTE:

Consult your authorized Suzuki Marine Dealer for inspection and replacement of internal anodes attached to the powerhead.

FUEL FILTER

The fuel filter must be inspected by authorized Suzuki Marine Dealer periodically. Inspect fuel filter at every 50 hours (3 months).

FLUSHING THE WATER PASSAGES

ENGINE RUNNING – Vertical position –

Suzuki recommends that you flush the water passages by using this method.

▲ WARNING

Exhaust gas contains carbon monoxide, a dangerous gas that is difficult to detect because it is colorless and odorless. Breathing carbon monoxide can cause death or severe injury.

Never start the engine or let it run indoors or where there is little or no ventilation.

▲ WARNING

Failure to take proper precautions when flushing the water passages can be hazardous.

When flushing the water passages, always take the following precautions:

- Make sure that the engine remains in NEUTRAL. If shifted into gear, the propeller shaft will turn and could cause severe personal injury.
- Make sure the motor is properly clamped to a secure stand or boat, and remain in attendance until flushing is completed.
- Keep children and pets away from the area, and stay clear of all moving parts.

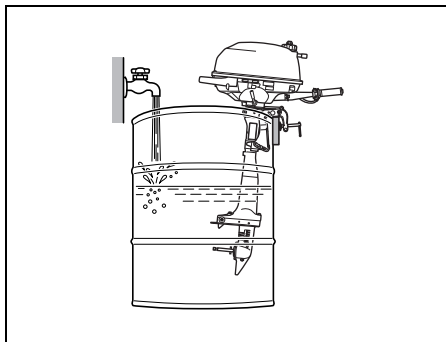
NOTICE

Severe engine damage can occur in as little as 15 seconds if the engine is started without supplying water to the cooling system.

Never start the motor without supplying water to the cooling system.

After operation in muddy, brackish, or salt water, you should flush the water passages and motor surface with clean, fresh water. If you do not flush the water passages, salt can corrode the motor and shorten its life.

1. Shift the motor into “NEUTRAL”.
2. Remove the propeller from the motor. Refer to the PROPELLER SELECTION AND INSTALLATION section.
3. Install the motor on a large container such as an empty 55 gallon drum.



4. Fill the container with clean, fresh water as illustrated.
5. Start the motor and let it idle for about five minutes. This will clean the salt water out of the cooling system.
6. Shut off the motor. Remove the motor from the container and keep the motor in a vertical position until the engine has drained completely. Reinstall the propeller as outlined in the PROPELLER SELECTION AND INSTALLATION section.
7. Clean the motor surface and apply a coat of automotive wax on the external finish of the motor.

SUBMERGED MOTOR

If your motor has been accidentally submerged in water, it must receive a special repair service as soon as possible to prevent corrosion. If possible, have a qualified marine dealer service the engine. If immediate servicing is not available, take the following steps to help protect your motor. In the event that your motor is accidentally submerged, take the following steps:

1. Get the motor out of the water as soon as possible.
2. Remove the motor cover and immediately wash the engine thoroughly with fresh water to completely remove all salt, mud, and seaweed.
3. Remove the spark plug. Drain the water from the cylinder through the spark plug hole by manually turning the flywheel several times.
4. Check if any water is evident in the engine oil. If water is seen, remove the oil drain plug and drain the oil. After draining, tighten the oil drain plug.
5. Drain the fuel line and the carburetor.

WARNING

Gasoline is extremely flammable and toxic. It can cause a fire and can be hazardous to people and pets.

Keep flames and sparks away from gasoline. Dispose of unwanted fuel properly.

6. Pour one tablespoon of engine oil in through spark plug hole and into the carburetor. Coat the engine inner parts with oil by turning the engine over with the recoil starter.

NOTICE

Severe engine damage may occur if you continue cranking the engine when you encounter friction or resistance.

If you encounter friction or resistance while cranking the engine, stop at once and do not attempt to start the engine until you find and correct the problem.

7. Have your authorized Suzuki marine dealer inspect the engine as soon as possible.

NOTICE

If the fuel supply is contaminated with water, engine damage may occur.

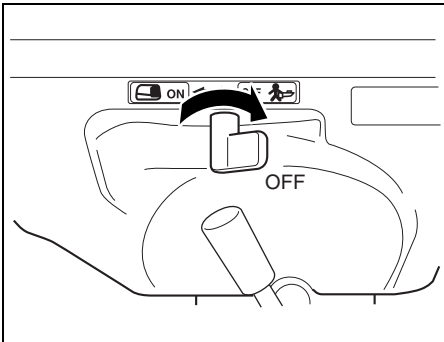
If the boat's fuel tank filler and vent were submerged, inspect the fuel supply to make sure it is not contaminated with water.

STORAGE PROCEDURE

MOTOR STORAGE

When storing your motor for a long period of time (for example, at the end of the boating season), it is recommended that you take your motor to your authorized Suzuki Marine Dealer. However, if you choose to prepare the motor for storage yourself, follow the procedure outlined below:

1. Change the gear oil as outlined in the GEAR OIL section.
2. Change the engine oil as outlined in the ENGINE OIL section.
3. Add a fuel stabilizer to the fuel tank according to the instructions on the stabilizer can.
4. Flush the water passages in the motor thoroughly. Refer to the FLUSHING THE WATER PASSAGES section.
5. Run the engine at about 2500 r/min in neutral for five minutes to distribute the stabilized fuel through the engine.
6. Stop the engine.
7. Turn the fuel cock lever to the right.



8. Tighten the air-vent screw on the fuel filler cap of the built-in tank.
9. Lubricate all other specified parts. Refer to the LUBRICATION section. Spray entire powerhead with a rust preventative (not a penetrating oil product).
10. Apply a coat of automotive wax on the external finish of the motor. If paint damage is evident, apply touch up paint before waxing.
11. Store the motor in an upright position in a dry, well-ventilated area. Select an area with constant temperature to avoid corrosion caused by condensation. Do not store next to furnaces, heaters, etc.

▲ WARNING

When the engine is running, there are many moving parts that could cause severe personal injury.

When the engine is running, keep your hands, hair, clothing, etc., away from the engine.

NOTICE

Severe engine damage can occur in as little as 15 seconds if the engine is started without supplying water to the cooling system.

Never start the motor without supplying water to the cooling system.

AFTER STORAGE

When taking your motor out of storage, follow the procedure below to return it to operating condition:

1. Thoroughly clean the spark plug. Replace them if necessary.
2. Check the gear-case oil level and if necessary, add gear oil according to the procedure outlined in the GEAR OIL section.
3. Lubricate all moving parts according to the LUBRICATION section.
4. Check the engine oil level.
5. Clean the motor and wax the painted surfaces.

GENERAL INFORMATION

WARRANTIES (For U.S.A)

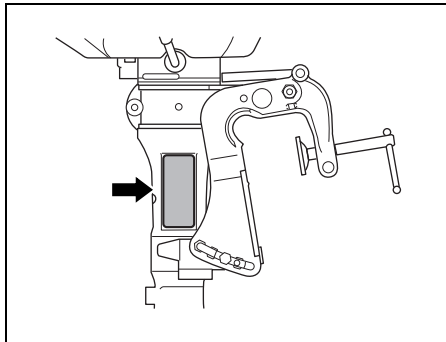
The warranties covering your outboard motor are explained in a separate Limited Warranty booklet given to you at the time of sale. Please read this booklet carefully so you can understand your rights and responsibilities.

IDENTIFICATION NUMBER LOCATION

The model and identification numbers of your outboard motor are stamped on a plate attached to the driveshaft housing. Record these numbers below for future reference. It is important to know these numbers when you place a parts order or if your motor is stolen.

Model Number:

Identification Number:



EMISSION CONTROL INFORMATION

NOTICE

- THIS ENGINE IS CERTIFIED TO OPERATE ON UNLEADED GASOLINE OF 87 OCTANE ((R+M)/2 METHOD) OR GREATER.
- EXHAUST EMISSION CONTROL SYSTEM:
ENGINE MODIFICATION

TROUBLESHOOTING

This troubleshooting guide is provided to help you find the cause of common complaints.

NOTICE

Failure to troubleshoot a problem correctly can damage your outboard motor. Improper repairs or adjustments may damage the outboard motor instead of fixing it. Such damage may not be covered under warranty.

If you are not sure about the proper action to correct a problem, consult your Suzuki marine dealer.

Engine will not start (hard to start):

- Emergency stop switch lock plate is not in position.
- Fuel tank is empty.
- Fuel hose is kinked or pinched.
- Spark plug is fouled.

Engine idles unstably or stalls:

- Choke knob is not pushed in securely.
- Fuel hose is kinked or pinched.
- Spark plug is fouled.

Engine speed will not increase (Engine power is low):

- Engine is overloaded.
- Propeller is damaged.
- Propeller is not properly matched to loads.

Engine vibrates excessively:

- Clamp screws are loose.
- Foreign object (seaweed etc.) is tangled on propeller.
- Propeller is damaged.

Engine overheats:

- Cooling water intake(s) are blocked.
- Engine is overloaded.
- Propeller is not properly matched to loads.

SPECIFICATIONS

Item	DF2.5
Engine Type	4 Stroke
Number of Cylinders	1
Bore and Stroke	48.0 × 38.0 mm (1.89 × 1.50 in.)
Piston Displacement	68 cm ³ (4.1 cu. in.)
Maximum output	1.8 kW (2.5PS)
Full Throttle Operating Range	5250 – 5750 r/min. (min ⁻¹)
Idle speed (in Neutral)	1900 ± 100 r/min. (min ⁻¹)
Ignition System	Digital CDI
Engine Lubrication	Trochoid pump lubrication
Engine Oil Capacity	0.38 L (0.40/0.33 US/Imp. qt.)
Built-in Fuel Tank Capacity	1.0 L (0.26/0.22 US/Imp. gal.)

Power rated in accordance with NMMA procedure.

DF2.5

F

MANUEL DU PROPRIETAIRE

IMPORTANT

▲ AVERTISSEMENT/ ▲ ATTENTION/AVIS/ NOTE

Prière de lire ce manuel et de suivre attentivement ses instructions. Pour mettre en valeur des informations spéciales, le symbole ▲ et les mots **AVERTISSEMENT**, **ATTENTION**, **AVIS** et **NOTE** ont des significations spéciales. Faire très attention aux messages mis en valeur par ces mots signaux.

▲ AVERTISSEMENT

Indique un danger potentiel qui peut entraîner des blessures graves ou la mort.

▲ ATTENTION

Indique un danger potentiel qui peut entraîner des blessures légères ou plus sérieuses.

AVIS

Indique un danger potentiel qui peut entraîner des dommages au moteur ou au bateau.

NOTE:

Indique des instructions spéciales pour faciliter la maintenance ou expliquer les instructions avec précision.

INFORMATIONS CONCERNANT LE RODAGE DU MOTEUR HORS- BORD

Les premières dix heures de vie de ce moteur sont les plus importantes. Une utilisation appropriée est essentielle pendant cette période de rodage pour garantir une durée de vie et des performances optimales.

Pour tout ce qui concerne les recommandations spéciales de rodage, voir la section RODAGE de ce manuel.

RECOMMANDATIONS IMPORTANTES A L'INTENTION DES PROPRIETAIRES

▲ AVERTISSEMENT

Tout manquement au respect des précautions adéquates peut augmenter le risque d'accident mortel ou de blessures graves pour le pilote et ses passager.

- Avant d'utiliser votre moteur hors-bord pour la première fois, se familiariser avec le contenu de ce manuel de l'utilisateur. Bien comprendre toutes les caractéristiques du moteur et toutes les conditions de sécurité et d'entretien.
- Vérifier le bateau et le moteur avant chaque sortie. Se référer à la section **CONTROLE AVANT L'UTILISATION** pour les points de contrôle importants.
- Bien se familiariser avec toutes les caractéristiques de commande et de manoeuvre du bateau et du moteur. S'entraîner à petite vitesse et à vitesse moyenne jusqu'à maîtrise complète de la manoeuvre du bateau et du moteur. Ne jamais utiliser le moteur hors-bord à vitesse maximale avant de s'être complètement familiarisé avec toutes ces caractéristiques.
- S'assurer que l'équipement de sécurité et de secours se trouve à bord. Cet équipement important comprend; gilet de sauvetage pour chaque passager (plus une bouée gonflable si le bateau mesure 5 mètres ou plus), extincteur, dispositif de signalisation sonore, signaux de détresse visuels, ancre, pompe de cale, seau, boussole, corde de secours pour le lanceur, réserve de carburant et d'huile, trousse de premiers secours, lampe de poche, eau et provisions, miroir, rames, trousse à outils et poste de radio à transistors. Bien vérifier que tout l'équipement approprié se trouve à bord avant de prendre le large.

- Ne jamais lancer le moteur ou le faire tourner dans un endroit clos ou dans un endroit non ou faiblement aéré. Les gaz d'échappement contiennent du monoxyde de carbone, un gaz incolore et inodore pouvant entraîner la mort ou des blessures graves.
- Montrer aux passagers comment manoeuvrer le bateau, comment procéder en cas d'urgence et comment utiliser l'équipement de sécurité et de secours.
- Ne pas se retenir au capot du moteur ou toute autre pièce du moteur hors-bord pour monter à bord ou pour descendre.
- Vérifier que tous les passagers à bord ont revêtu leur gilet de sauvetage.
- Ne jamais utiliser un bateau quand on est sous l'influence d'alcool, de médicaments ou de narcotiques.
- Distribuer le poids de manière uniforme sur le bateau.
- Procéder à toutes les opérations d'entretien au moment prévu. Contacter le concessionnaire de moteurs hors-bord agréé Suzuki si nécessaire.
- Ne jamais modifier ou déposer une partie quelconque du moteur hors-bord. Le moteur risque alors de présenter un danger à l'utilisation.
- Bien s'informer et respecter toutes les règles de navigation en vigueur.
- Bien respecter les prévisions météorologiques. Ne pas sortir si le temps n'est pas favorable.
- Prendre toutes les précautions nécessaires à l'achat de pièces de rechange ou d'accessoires. Suzuki conseille vivement de n'utiliser que des pièces de rechange ou des accessoires Suzuki d'origine ou équivalent. Des pièces de rechange ou des accessoires non appropriés ou de mauvaise qualité risquent de mener à des conditions de fonctionnement dangereuses.

NOTE:

L'antenne de l'émetteur radio ou de l'équipement de navigation montée trop près du capot du moteur peut provoquer des parasites. Suzuki recommande que l'antenne soit installée à au moins un mètre du capot du moteur.

Ce manuel doit être considéré comme faisant partie du moteur hors-bord et doit accompagner ce moteur si celui-ci est revendu ou remis à un nouveau propriétaire ou utilisateur. Lire attentivement ce manuel avant d'utiliser ce nouveau Suzuki et le consulter de temps à autre. Il contient des informations importantes concernant la sécurité, l'utilisation et l'entretien.

AVANT-PROPOS

Ce manuel contient les instructions d'entretien et de maintenance du moteur hors-bord. Se conformer strictement à ces instructions pour assurer une longue durée de vie au moteur et l'absence de problèmes. Ce moteur hors-bord est par ailleurs conforme aux règles de l'Agence Américaine pour la Protection de l'Environnement (EPA) relatives aux émissions applicables aux moteurs hors-bord neufs. Un réglage approprié des composants doit être effectué pour mettre ce moteur aux normes des réglement de l'EPA. Il est donc important de se conformer soigneusement aux instructions d'entretien pour garantir la conformité des émissions. Les concessionnaires Suzuki emploient des techniciens expérimentés dûment formés et dotés de l'outillage et de l'équipement appropriés pour assurer le meilleur entretien possible des moteurs hors-bord.

Toutes les informations données dans ce manuel sont basées sur les plus récentes informations de produit disponibles au moment de la publication. Du fait d'améliorations ou autres modifications, il peut y avoir des différences entre ce manuel et votre moteur hors-bord. Suzuki se réserve le droit de procéder à tout moment et sans préavis à des changements dans la production, sans obligation de procéder aux mêmes changements ou a des changements similaires sur les moteurs hors-bord prélabement construits ou vendus.

PROTEGEZ LA NATURE

Protégez et préservez votre domaine de navigation et son accès terrestre. Ne jamais polluer les eaux ou la terre avec de l'huile, du carburant ou d'autres produits dangereux. Toujours s'assurer par exemple de la mise au rebut appropriée de l'huile pour engrenages après une vidange d'huile. Attention également aux immondices. Un simple effort permettra de conserver les domaines de navigation à long terme.

Suzuki Motor Corporation supporte la conservation et la protection des ressources naturelles de la terre.

A cet effet, nous encourageons tous les propriétaires de moteurs hors-bord à recycler, échanger ou mettre correctement au rebut les huiles et les batteries usagées.

SUIVRE UN COURS DE SECURITE EN MER

Un navigateur éduqué aura plus de plaisir à naviguer et il le fera dans de meilleures conditions de sécurité. Il est conseillé de suivre un cours de sécurité de navigation.

Aux Etats-Unis, les gardes côtes et l'U.S. Power Squadron, ainsi que diverses agences de la Croix Rouge, proposent des cours de code de la mer détaillant l'équipement nécessaire et conseillé sur les petits bateaux. Pour toute information sur ces cours, appeler le numéro vert 1-800-336-BOAT (2628).

Le département d'état américain de la navigation et les concessionnaires de moteur hors-bord Suzuki peuvent fournir toutes les informations supplémentaires nécessaires concernant la sécurité et la réglementation de la navigation. Il est également possible de se renseigner auprès des gardes côtes en appelant le 1-800-368-5647.

Mis en garde de la Propostion 65 de l'état de Californie

▲ AVERTISSEMENT

Les gaz d'échappement, certains de leurs constituants et certains composants contiennent ou émettent des produits chimiques qui, à la connaissance de l'Etat de Californie, peuvent entraîner des cancers ou des malformations de naissance et autres problèmes.

TABLE DES MATIERES

CARBURANT ET HUILE.....	6
CARBURANT.....	6
PLEIN DU RÉSERVOIR DE CARBURANT.....	7
HUILE-MOTEUR.....	8
HUILE POUR ENGRENAGES.....	8
EMPLACEMENT DES ETIQUETTES DE SECURITE.....	9
EMPLACEMENT DES PIECES.....	10
INSTALLATION DU MOTEUR.....	11
CHOIX ET MONTAGE DE L'HELICE.....	12
CHOIX DE L'HELICE.....	12
MONTAGE DE L'HELICE.....	13
REGLAGES.....	13
REGLAGE DE L'ANGLE D'INCLINAISON.....	13
REGLAGE DE LA RIGIDITE DE LA DIRECTION.....	15
REGLAGE DE LA RIGIDITE DE L'ACCELERATEUR.....	15
REGLAGE DE REGIME DE RALENTI.....	15
UTILISATION DU MOTEUR HORS- BORD À HAUTE ALTITUDE.....	16
UTILISATION DU SYSTEME DE REL VAGE.....	17
BRAS DE VERROUILLAGE DE RELEVAGE.....	17
CONTROLE AVANT L'UTILISATION.....	19
RODAGE.....	21

UTILISATION.....	22
AVANT D'ESSAYER DE METTRE LE MOTEUR EN MARCHÉ.....	22
MISE EN MARCHÉ DU MOTEUR.....	24
MISE EN MARCHÉ DE SECOURS.....	26
INVERSION DE MARCHÉ ET COMMANDE DE LA VITESSE.....	27
UTILISATION EN MARCHÉ ARRIERE.....	28
ARRET DU MOTEUR.....	28
AMARRAGE.....	29
UTILISATION EN EAU PEU PROFONDE.....	29
PRECAUTIONS A SUIVRE EN EAU DE MER.....	29
UTILISATION PAR TEMPS FROID.....	29
DEPOSE ET TRANSPORT DU MOTEUR.....	30
DEPOSE DU MOTEUR.....	30
TRANSPORT DU MOTEUR.....	30
CONTROLE ET ENTRETIEN.....	32
PLAN D'ENTRETIEN.....	32
BOUGIE.....	33
RENIFLARD ET CONDUITE D'ALIMENTATION.....	35
HUILE DU MOTEUR.....	36
HUILE DU CARTER D'ENGRENAGES.....	38
GRAISSAGE.....	39
PROTECTION CONTRE LA CORROSION.....	39
FILTRE A CARBURANT.....	39
RINCAGE DES PASSAGES D'EAU.....	40
MOTEUR IMMERGE.....	41
PROCEDURE DE REMISAGE.....	42
REMISAGE DU MOTEUR.....	42
APRES LE REMISAGE.....	43
INFORMATIONS GENERALES.....	43
GARANTIE (ETATS-UNIS).....	43
EMPLACEMENT DES NUMEROS D'IDENTIFICATION.....	43
INFORMATIONS CONCERNANT LA REGULATION DES EMISSIONS.....	43
DEPANNAGE.....	44
CARACTERISTIQUES.....	44

CARBURANT ET HUILE

CARBURANT

Suzuki recommande l'utilisation, dans toute la mesure du possible, d'une essence sans plomb et sans alcool d'un indice d'octane minimum de 87 (méthode de (R+M)/2). Dans certaines régions, les seuls carburants disponibles sont des carburants oxygénés. Il est possible d'utiliser de tels carburants avec ce moteur hors-bord dans le cadre de la garantie limitée accordée aux moteurs hors-bord neufs, si ces carburants ont un indice d'octane approprié et s'ils sont conformes aux conditions stipulées ci-après.

AVIS

Si de l'essence au plomb est utilisée, le moteur risque d'être endommagé. L'emploi d'un carburant incorrect ou de mauvaise qualité risque d'affecter les performances du moteur et de détériorer le moteur et le circuit d'alimentation.

Utiliser seulement de l'essence sans plomb. Ne pas utiliser un carburant avec un indice d'octane inférieur à celui indiqué ou un carburant usagé ou contaminé par l'eau/saleté ou autre.

NOTE:

Les carburants oxygénés sont des carburants qui contiennent des additifs comportant de l'oxygène comme le MTBE ou l'alcool.

Essence contenant du MTBE

De l'essence sans plomb contenant du MTBE (Methyl Tertiary Butyl Ether) peut être utilisée dans votre moteur hors-bord si la teneur en MTBE n'est pas supérieure à 15%. Ce carburant oxygéné ne contient pas d'alcool.

Mélanges essence/éthanol

Il est possible d'utiliser sur ce moteur hors-bord des mélanges d'essence sans plomb et d'éthanol (alcool de grain) appelés 'gasohol', si la teneur en éthanol est inférieure à 10%.

Mélanges essence/méthanol

Des mélanges d'essence sans plomb et de méthanol (alcool de bois) sont vendus dans certaines régions. Quelles que soient les circonstances, NE JAMAIS UTILISER des carburants contenant plus de 5% de méthanol. Suzuki décline toute responsabilité concernant les détériorations du circuit d'alimentation ou des performances du moteur pouvant résulter de l'emploi de tels carburants, détériorations qui risquent de ne pas être couvertes par la garantie accordée aux moteurs neufs. Des carburants à teneur en méthanol de 5% ou moins sont utilisables avec ce moteur sous réserve qu'ils contiennent des cosolvants et des inhibiteurs de corrosion.

Signalisation des pompes à essence

Dans certains pays, la législation stipule que le type et la teneur du composant oxygénant et la présence d'additifs important soient indiqués sur les pompes. Ce type d'indication doit fournir suffisamment d'informations pour permettre de déterminer si un mélange donné d'essence est conforme aux conditions indiquées précédemment. Dans d'autres pays, les distributeurs ne sont pas tenus légalement d'indiquer ces informations. En cas de doute quant à la composition du carburant, vérifier auprès du pompiste ou du distributeur.

NOTE:

- Bien vérifier que le mélange de carburant oxygéné utilisé a un indice d'octane d'au moins 87 à la pompe (méthode (R+M)/2).
- Si l'emploi d'un mélange essence/alcool ne donne pas entière satisfaction quant aux performances du moteur et à sa consommation, utiliser de l'essence sans plomb non mélangée à un alcool.
- En cas de cognement du moteur, changer de marque de carburant car les mélanges varient d'un distributeur à l'autre.

AVIS

De l'essence abandonné dans le réservoir de carburant pendant une longue période produira du vernis et de la gomme, produits qui pourraient endommager le moteur.

Toujours utiliser de l'essence fraîche.

PLEIN DU RÉSERVOIR DE CARBURANT

Pour faire le plein du réservoir de carburant :

1. Toujours couper le moteur avant de faire le plein du réservoir de carburant.

▲ AVERTISSEMENT

L'essence est extrêmement inflammable et toxique. L'essence peut provoquer un incendie et est dangereuse pour les personnes et les animaux.

Toujours observer les précautions suivantes lors du ravitaillement:

- Ne jamais permettre à une personne autre qu'un adulte de remplir le réservoir de carburant.
- Si vous utiliser le réservoir séparé de combustible, toujours arrêter le moteur et enlever ce réservoir du bateau pour le remplir.
- Ne pas remplir le réservoir de carburant au maximum; le carburant pourrait déborder lorsqu'il se dilate du fait du chauffage par le soleil.
- Faire attention à ne pas renverser de carburant. Si l'on renverse du carburant, l'éponger immédiatement.
- Ne pas fumer, et procéder à l'écart de toute flamme vive et étincelle.

AVIS

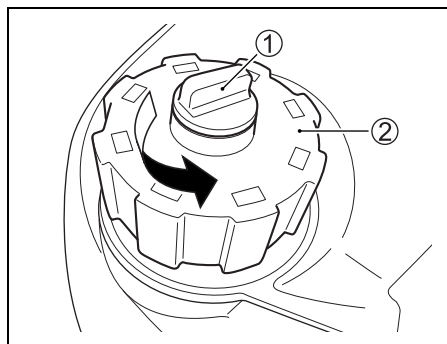
Les carburants contenant de l'alcool peuvent attaquer la peinture et de genre de dégâts n'est pas couvert par la garantie limitée accordée aux moteurs neufs.

Faire attention à ne pas renverser de carburant contenant de l'alcool pendant le ravitaillement. Si le carburant est renversé, l'éponger immédiatement.

2. Pour ouvrir l'évent d'air, dévisser entièrement la vis de purge d'air ① se trouvant sur le bouchon du réservoir de carburant ② par rotation dans le sens contraire au sens horloger.

NOTE:

LA VIS DE PURGE doit être **FERMÉE** pendant le transport et **OUVERTE** pendant le **FONCTIONNEMENT** et pendant la **DÉPOSE DU BOUCHON**.

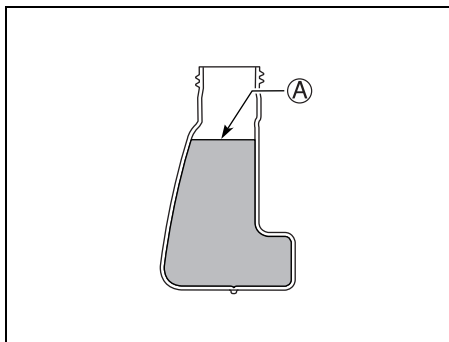


- Déposer le bouchon du réservoir de carburant.

▲ AVERTISSEMENT

Si le réservoir de carburant incorporé est trop rempli, le carburant risque de déborder.

Ne pas remplir le réservoir au dessus de la ligne repère de niveau maximum (A).



- Faire le plein d'essence du réservoir de réservoir en procédant avec précautions. **Ne pas excéder le niveau maxi.**

Contenance du réservoir de carburant	1,0 L (0,26/0,22 US/Imp gal)
--------------------------------------	---------------------------------

- Serrer le bouchon du réservoir de carburant jusqu'au "clic".
- Resserrer la vis de purge d'air sur le bouchon du réservoir de carburant.

HUILE-MOTEUR

AVIS

L'emploi d'une huile-moteur de mauvaise qualité peut affecter les performances et la durée de service du moteur.

Suzuki recommande d'utiliser une huile pour moteur 4 temps Marine Suzuki ou son équivalent.

La qualité de l'huile contribue de façon majeure dans la performance et dans la durée de vie du moteur. Toujours choisir une huile de bonne qualité.

Suzuki recommande une HUILE POUR MOTEUR 4-TEMPS MARINE SUZUKI SAE 10W-40. S'il n'est pas possible de se procurer une HUILE POUR MOTEUR 4-TEMPS MARINE SUZUKI, choisir une huile FC-W certifiée NMMA ou une huile pour moteur 4-temps de bonne qualité dans le tableau suivant en fonction des températures moyennes du lieu d'utilisation.

Classification API	Nuance de viscosité SAE															
SG																
SH	10W-40 →															
SJ																
SL	10W-30 →															
SM																
TEMP.	°C	-20	-10	0	10	20	30	40	°F	-4	14	32	50	68	86	104

NOTE:

Par temps très froid (moins de 5°C), utiliser une huile de nuance SAE (ou NMMA FC-W) 5W-30 pour garantir un démarrage et un fonctionnement sans problème.

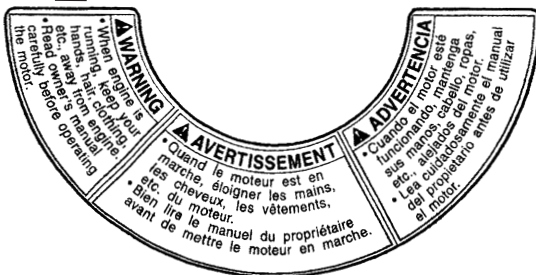
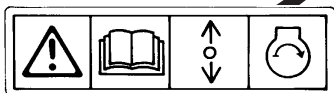
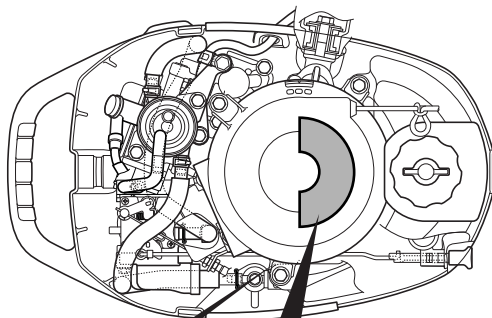
HUILE POUR ENGRENAGES

Suzuki recommande l'utilisation d'une HUILE POUR ENGRENAGE HYPOÏDE SUZUKI. S'il n'est pas possible de se procurer ce type d'huile, utiliser une huile pour engrenage hypoïde SAE 90 classée GL-5 dans le système de classification de l'API.

EMPLACEMENT DES ÉTIQUETTES DE SECURITE

Lire et suivre les instructions des étiquettes de sécurité collées sur le moteur hors-bord ou sur le réservoir de carburant. S'assurer que vous comprenez bien les instructions sur ces étiquettes.

Laisser les étiquettes sur le moteur hors-bord ou le réservoir de carburant. Ne les enlever en aucun cas.



WARNING
AVERTISSEMENT
ADVERTENCIA

To avoid injury:

- Ensure shift control is in neutral before starting motor.
- When engine is running, do not remove or install motor cover.
- To reduce the risk of fire and possible injury, tighten air vent screw before fitting up or carrying motor.

Read owner's manual carefully before operating motor.

Pour éviter toute blessure:

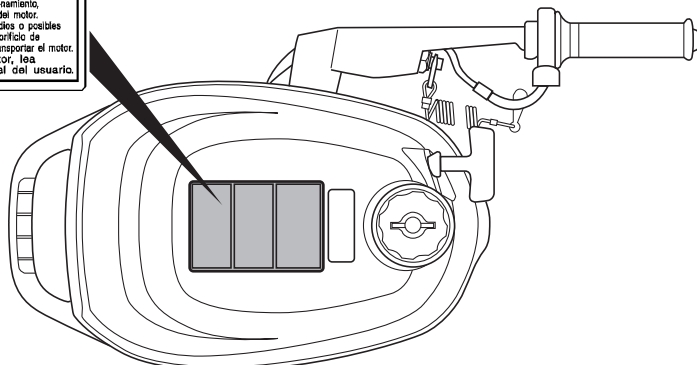
- Vérifier que le levier de transmission est au point mort avant de démarrer le moteur.
- Quand le moteur est en marche, ne pas enlever ou installer le capot.
- Pour réduire les risques d'incendie et de blessure possible, serrer la vis de l'évent d'air avant de basculer ou de déplacer le moteur.

Lire attentivement le manuel du propriétaire avant d'utiliser le moteur.

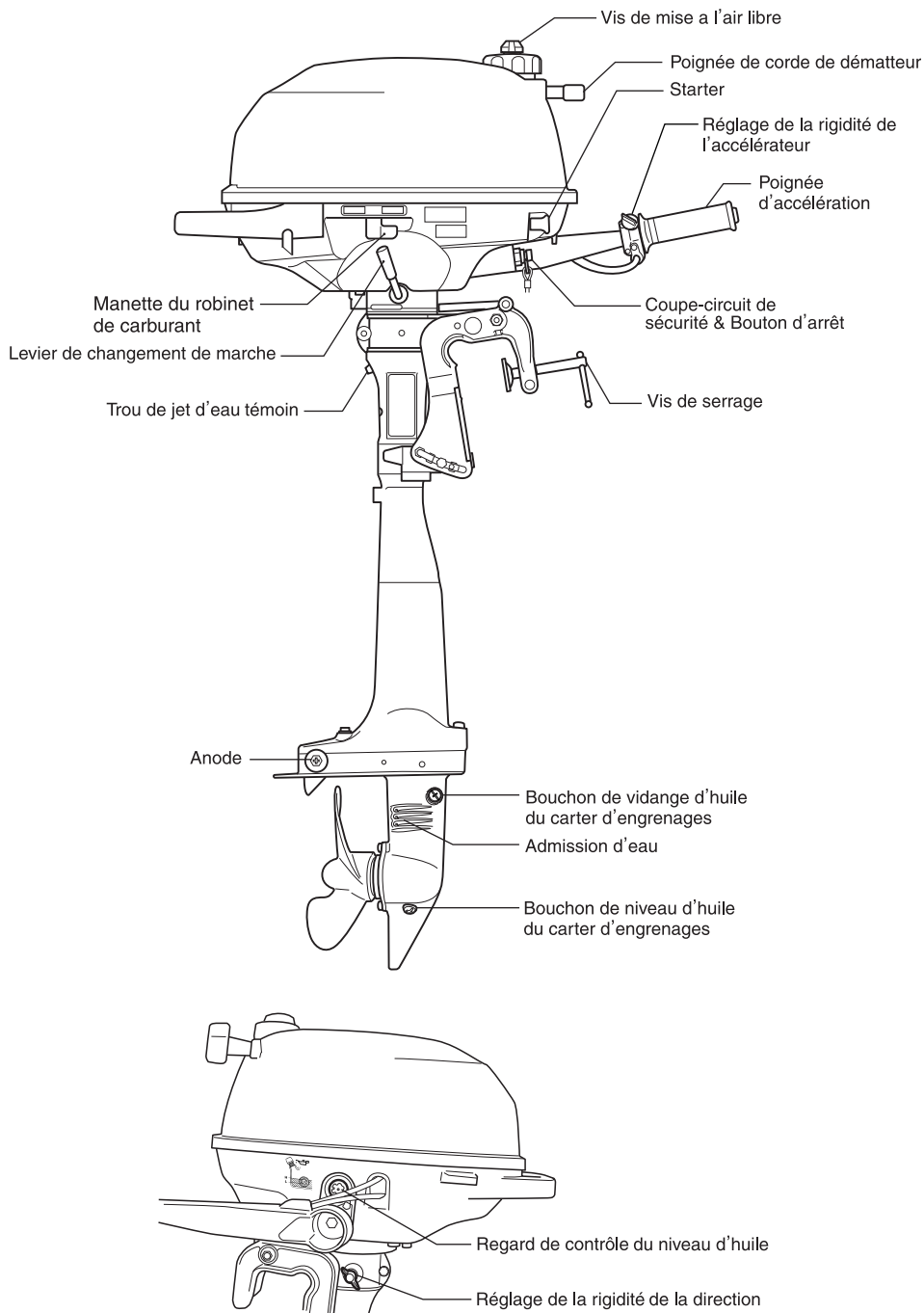
Para evitar lesiones:

- Asegúrese de que el control de cambio de marchas está en punto muerto antes de arrancar el motor.
- Cuando el motor está en funcionamiento, no retire ni instale la cubierta del motor.
- Para reducir el riesgo de incendios o posibles lesiones, apriete el tornillo del orificio de ventilación antes de bascular o transportar el motor.

Antes de accionar el motor, lea cuidadosamente el manual del usuario.



EMPLACEMENT DES PIÈCES



INSTALLATION DU MOTEUR

▲ AVERTISSEMENT

Un moteur trop puissant sur votre bateau peut être dangereux. Une puissance excessive va avoir un effet inverse sur la sécurité à la coque et va présenter des difficultés de manoeuvre. Le bateau risque également d'être soumis à des tensions résultant en détérioration de la coque.

Ne jamais installer un moteur hors-bord d'une puissance dépassant la puissance maximale recommandée mentionnée sur la "Plaque d'homologation" du bateau. Contacter un concessionnaire de moteurs hors-bord agréé Suzuki si la "Plaque d'homologation" de la coque semble manquer.

NOTE:

La réglementation interdit aux concessionnaires de moteurs hors-bord d'entretenir des moteurs d'une puissance supérieure à celle conseillée pour le bateau sur lequel ils sont montés.

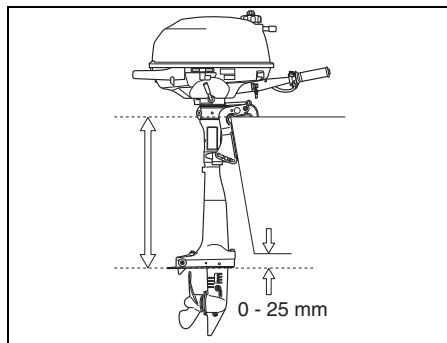
Une hauteur de tableau arrière correcte est importante pour un bon fonctionnement. Un moteur monté sur un tableau arrière trop haut fait patiner son hélice, ce qui entraîne une perte de puissance ou une surchauffe. Un moteur monté sur un tableau arrière trop bas augmente la résistance à l'avancement, ce qui entraîne une diminution de vitesse.

S'assurer que lorsque le moteur est abaissé au maximum, la plaque anticavitation est située à 0-25 mm au-dessous du fond du bateau.

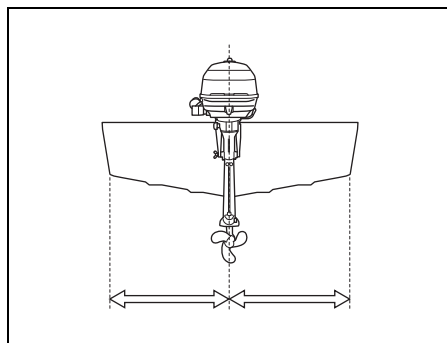
AVIS

Si la plaque anticavitation est au-dessus de la surface de l'eau, le moteur risque de surchauffer et d'être endommagé sérieusement.

Ne pas utiliser le moteur hors-bord si la plaque anticavitation est au-dessus de la surface de l'eau.



Centrer le moteur sur le tableau arrière et le fixer en serrant alternativement les vis de presse à la main. S'assurer que le moteur est centré avec précision, sinon le bateau se déportera vers un côté lors de l'utilisation.

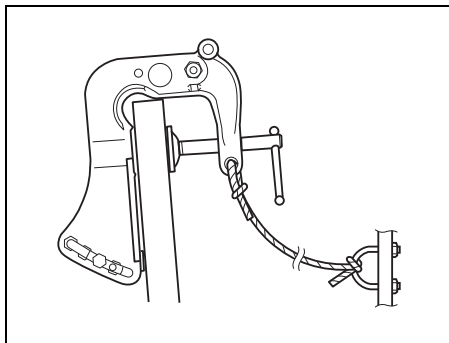


Après la pose du moteur, contrôler le bon fonctionnement du mécanisme de direction et d'inclinaison.

▲ AVERTISSEMENT

Si le moteur n'est pas correctement fixé au tableau arrière, il risque de se décrocher.

Veiller à passer une robuste corde ou un câble du bateau par le trou de l'étrier de fixation. Contrôler le serrage des vis d'étrier de fixation de temps en temps.



CHOIX ET MONTAGE DE L'HELICE

CHOIX DE L'HELICE

Il est primordial d'équiper votre moteur hors-bord d'une hélice adaptée correctement aux caractéristiques de fonctionnement du bateau. La vitesse du moteur lorsque l'on utilise le bateau sous accélération maximale dépend de l'hélice que l'on utilise. Un régime excessif du moteur risque de l'endommager sérieusement, tandis qu'un régime réduit à plein gaz va se traduire par une faible performance. Le choix de l'hélice est par ailleurs fonction de la charge de service. Des charges plus faibles demandent en général des hélices à pas plus grand et les charges plus importantes des hélices à pas plus petit. Les concessionnaires de moteurs hors-bord agréés Suzuki peuvent vous aider à choisir l'hélice appropriée pour votre bateau.

AVIS

Installer une hélice ayant un pas trop élevé ou trop bas entraîne un régime maximum du moteur anormal et ceci peut entraîner des détériorations sérieuses du moteur.

Demander au concessionnaire Suzuki agréé de vous conseiller pour la sélection d'une hélice appropriée à votre bateau.

Pour déterminer si l'hélice est appropriée aux conditions du bateau, vérifier le régime sur le compte-tour à plein gaz et à charge minimum. Si l'hélice est appropriée, le régime se trouve dans les limites suivantes :

Plage de fonctionnement sous accélération maximale	5250 – 5750 tr/min. (min ⁻¹)
--	--

Si le régime du moteur n'est conforme à ces limites, voir le concessionnaire de moteurs hors-bord agréé Suzuki pour décider la taille de l'hélice la plus appropriée.

Après un changement de l'hélice, procéder à nouveau au contrôle précédent pour vérifier que le régime du moteur à plein gaz est dans les limites spécifiées.

▲ AVERTISSEMENT

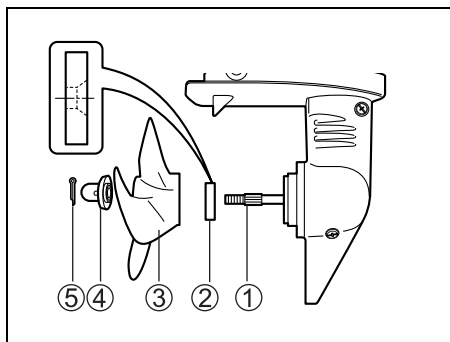
Ne pas manquer de suivre les précautions d'usage pendant la pose ou la dépose de l'hélice, afin d'éviter tout risque de blessure grave.

Pour monter ou déposer l'hélice:

- Toujours mettre la boîte au "point mort" et enlever la plaque de verrouillage du contacteur d'arrêt d'urgence pour éviter toute remise en route accidentelle du moteur.
- Revêtir des gants de sécurité pour se protéger les mains et "verrouiller" l'hélice en insérant un bloc de bois entre les pales et la plaque anticavitation.

Pour monter une hélice sur le moteur hors-bord, procéder comme suit:

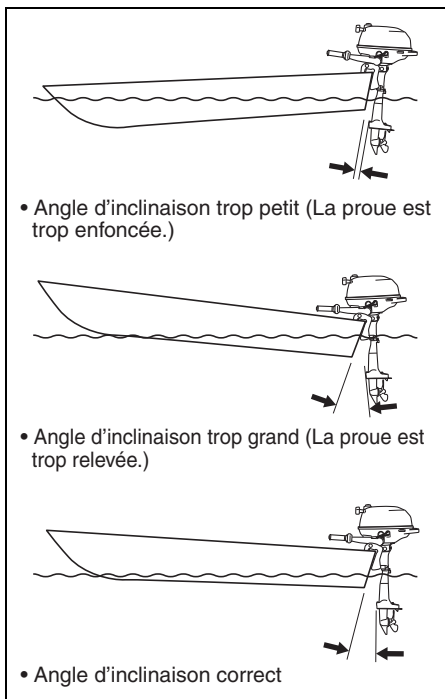
1. Enduire les cannelures de l'arbre d'hélice ① d'une généreuse couche de graisse hydrofuge afin d'empêcher la formation de rouille.
2. Mettre la butée ② sur l'arbre.
3. Faire coïncider les cannelures de l'arbre d'hélice et celles du moyeu de l'hélice puis glisser l'hélice ③ sur l'arbre.
4. Visser l'écrou d'hélice ④ et serrer. Aligner les gorges de l'écrou d'hélice et le trou de l'arbre puis insérer la goupille fendue ⑤ et recourber ses extrémités afin qu'elle ne puisse pas s'enlever.



Pour déposer l'hélice, inverser la procédure ci-dessus.

REGLAGE DE L'ANGLE D'INCLINAISON

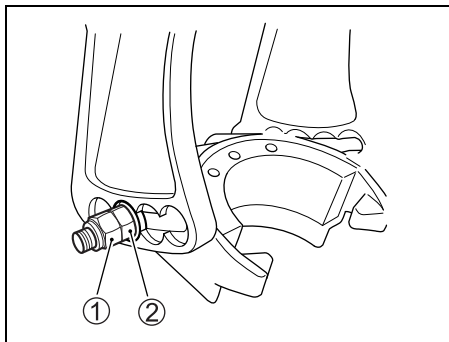
Afin d'obtenir une bonne stabilité directionnelle et de bonnes performances, toujours maintenir l'angle d'inclinaison correct comme illustré. L'angle d'inclinaison approprié varie en fonction de la combinaison bateau, moteur et hélice, ainsi qu'en fonction des conditions d'utilisation.



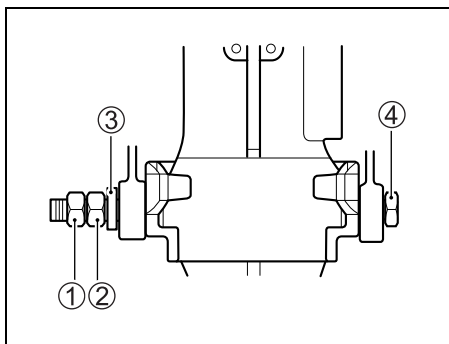
Faire une marche d'essai avec le bateau pour déterminer si l'angle d'inclinaison nécessite un réglage.

Pour régler l'angle d'inclinaison:

1. Verrouiller le moteur en position entièrement relevé. (Se reporter à la section BARS DE VERROUILLAGE DE RELEVAGE.)
2. Faire tourner le contre-écrou ① dans le sens contraire au sens horloger tout en immobilisant l'écrou ②. Desserrer l'écrou ②.



3. Tirer sur l'entretoise ③ et basculer entièrement la goupille ④ vers l'extérieur de chaque côté du support à rotule.



4. Repositionner la broche d'inclinaison dans les trous désirés.
5. Ramener l'entretoise ③ et la goupille d'inclinaison ④ en arrière et serrer l'écrou ② et le contre-écrou ①.
6. Abaisser le moteur.

Pour abaisser le pouce, déplacer la broche vers le bateau.

Pour relever le pouce, écarter la broche du bateau.

Après avoir réglé l'angle de l'assiette, effectuer un nouvel essai de marche pour s'assurer que ce réglage est satisfaisant.

▲ AVERTISSEMENT

L'angle d'assiette affecte considérablement la commande du bateau. Si l'angle d'assiette est trop faible, le bateau risque de "plonger" ou de "piquer du nez". Si l'angle d'assiette est trop grand, le bateau peut devenir impossible à barrer, de tanguer d'un côté à l'autre ou de l'avant vers l'arrière. Ces conditions, qui entraînent la perte de contrôle du bateau, risquent de jeter les passagers par-dessus bord.

Toujours maintenir un angle d'assiette correct, en se basant sur la combinaison de votre bateau, de son moteur et de son hélice, ainsi que sur les conditions de navigation.

▲ AVERTISSEMENT

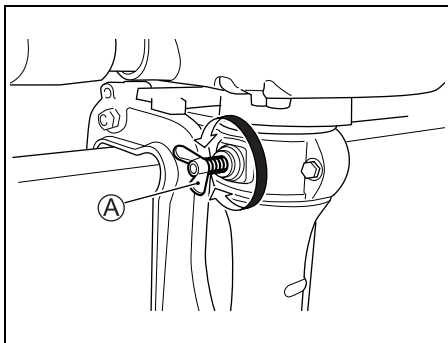
Si vous utilisez le moteur avec la goupille de basculement déposée, la commande du bateau risque d'en être affectée.

Ne pas utiliser le moteur avec la goupille de basculement déposée.

REGLAGE DE LA RIGIDITE DE LA DIRECTION

La direction de votre moteur hors-bord doit être douce, sans point dur. Régler sa rigidité de manière telle qu'il n'y ait qu'une légère résistance au déplacement.

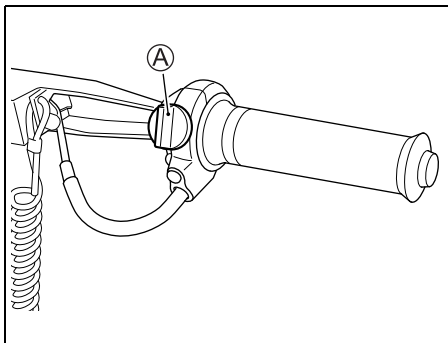
Pour augmenter cette rigidité, tourner le bouton de réglage **A** vers la droite. Pour diminuer la rigidité, tourner le bouton de réglage vers la gauche.



REGLAGE DE LA RIGIDITE DE L'ACCELERATEUR

La rigidité de la poignée de commande des gaz peut être réglée selon votre préférence. Pour augmenter cette rigidité, tourner le bouton de réglage **A** vers la droite.

Pour diminuer la rigidité, tourner ce bouton vers la gauche.



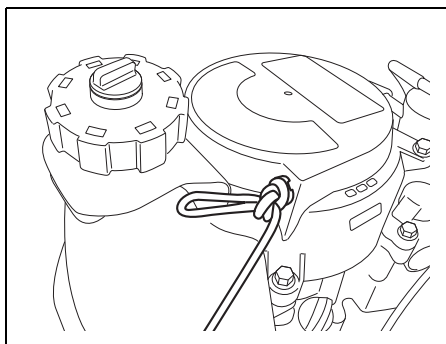
REGLAGE DE REGIME DE RALENTI

Le régime de ralenti du moteur hors-bord a été réglé par le concessionnaire.

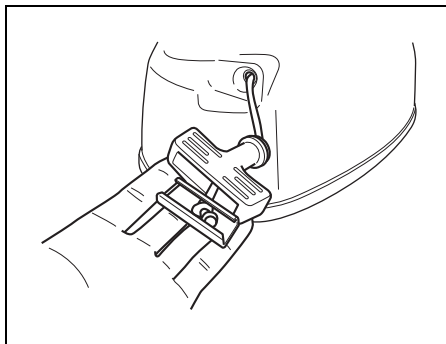
S'il est nécessaire de régler le régime de ralenti, utiliser la procédure suivante.

Une partie du couvercle du moteur du DF2.5 sert également de poignée du lanceur à rappel. Il est conseillé de faire régler le régime de ralenti par un concessionnaire Suzuki agréé. Pour déposer entièrement le couvercle du moteur, déposer d'abord la poignée du lanceur. Procéder de la manière suivante.

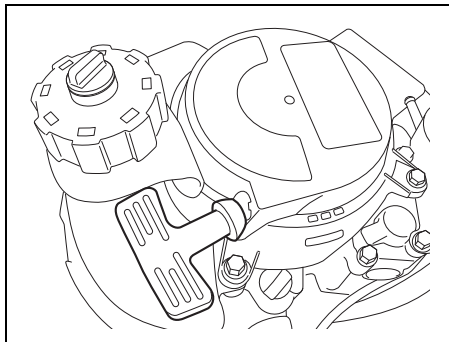
1. Soulever légèrement le couvercle du moteur.
2. Faire un nœud à la corde à l'intérieur du couvercle du moteur pour éviter que celle-ci ne s'enroule sur la bobine du lanceur quand la poignée de la corde est enlevée.



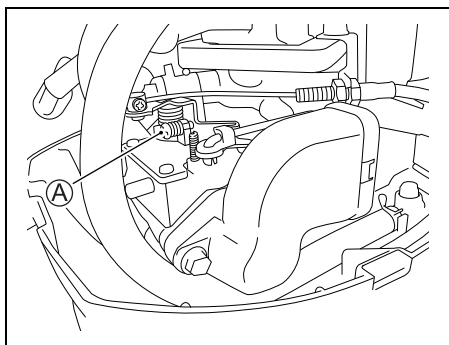
3. Enlever la poignée du lanceur.
4. Déposer complètement le couvercle du moteur.



5. Remonter la poignée du démarreur à l'extrémité de la corde.
6. Desserrer le nœud fait sur la corde.



7. Lancer le moteur. (Voir la section démarreur du moteur)
8. Faire chauffer le moteur pendant environ 5 minutes.
9. Vérifier que le moteur est au Point Mort ("Neutral") et que les gaz sont coupés.
10. Tourner le vis de réglage de ralenti (A) vers la droite pour augmenter le régime de ralenti ou vers gauche pour le diminuer.
11. Couper le moteur.



Régime de ralenti (au point mort)	1800 – 2000 tr/min. (min ⁻¹)
--------------------------------------	---

12. Reposer le couvercle du moteur en procédant en ordre inverse des opérations 1 à 6 précédentes.

NOTE:

Si le régime de ralenti ne peut pas être réglé dans la plage spécifiée, adressez-vous à votre revendeur agréé de moteurs hors-bords Suzuki.

UTILISATION DU MOTEUR HORS-BORD À HAUTE ALTITUDE

Votre moteur hors-bord est doté d'un carburateur conçu pour l'utilisation à une altitude allant jusqu'à 1500 mètres. Si le moteur est utilisé à une altitude plus élevée, la différence de pression d'air peut affecter le mélange air-carburant et le rendre trop riche pour le bon fonctionnement du moteur. Ceci risque de réduire ses performances, d'augmenter la consommation en essence, de rendre le démarrage à chaud difficile et d'augmenter les émissions de gaz d'échappement.

Si vous utilisez régulièrement votre moteur hors-bord à plus de 1500 mètres d'altitude, un carburateur à gicleur de spécifications différentes est disponible pour obtenir le mélange air-carburant adéquat en fonction du changement de la pression d'air. Ce carburateur peut être commandé auprès des concessionnaires Suzuki Marine agréés et permet de faire fonctionner votre moteur normalement. Pour utiliser ce carburateur, Suzuki recommande de le faire installer par un concessionnaire Suzuki Marine agréé, ou un technicien qualifié.

AVIS

Si vous utilisez le moteur hors-bord à basse altitude (moins de 1500 mètres) quand le moteur a été modifié pour utilisation à haute altitude, le moteur risque d'être endommagé par surchauffement ou les émissions de gaz d'échappement peuvent être excessives.

Veiller à bien remettre en état les spécifications de giclage du moteur hors-bord après sa modification pour utilisation à haute altitude avant d'utiliser le moteur hors-bord à basse altitude (moins de 1500 mètres).

UTILISATION DU SYSTÈME DE RELVAGE

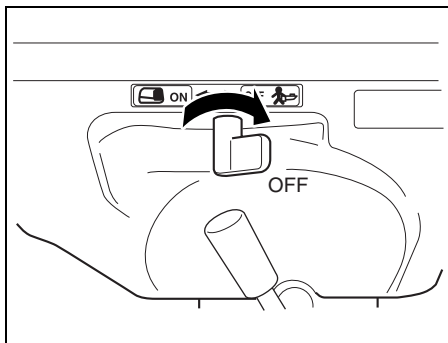
BRAS DE VERROUILLAGE DE RELEVAGE

Le bras de verrouillage de relevage est utilisé pour bloquer le moteur en position de relevage maximal.

▲ AVERTISSEMENT

Si vous ne prenez pas les précautions adéquates pendant le levage du moteur, le carburant risque de s'échapper.

Pour les moteurs avec un réservoir incorporé, s'assurer que le robinet d'essence est tourné vers la droite (fermé) et resserrer la vis de mise à l'air libre du bouchon de réservoir de carburant avant de lever le moteur.



POSITION DE RELEVAGE MAXIMAL

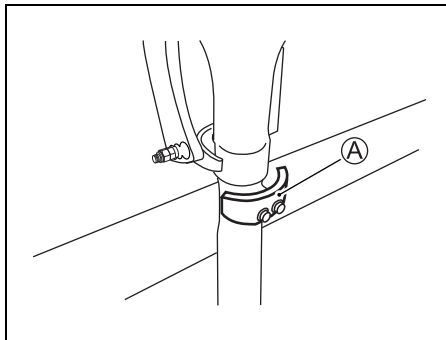
Pour bloquer le moteur sur la position haute maximum:

▲ AVERTISSEMENT

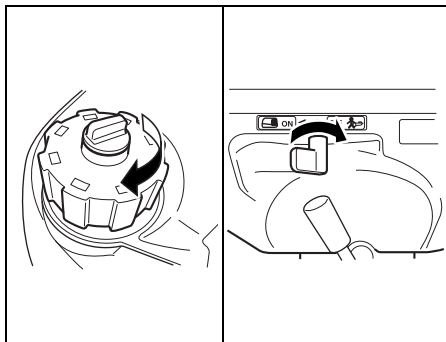
Si vous placez vos mains près du support de fixation ou sous le moteur lors de l'opération de levage, vos mains risquent d'être écrasées au cas où le moteur glisserait.

Ne jamais poser les mains près du support de fixation ou sous le moteur lors de l'opération de levage.

1. Mettre l'inversion au point mort "NEUTRAL".
2. Faire tourner le moteur vers l'avant de sorte à libérer l'arrêt de butée de marche arrière (A).



3. Tourner la poignée du robinet à carburant vers la droite (position OFF) et serrer la vis d'évent d'air sur le bouchon du goulot de remplissage du carburant.

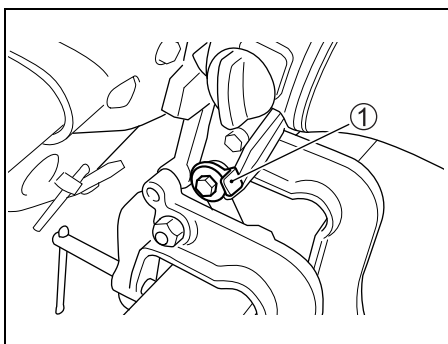
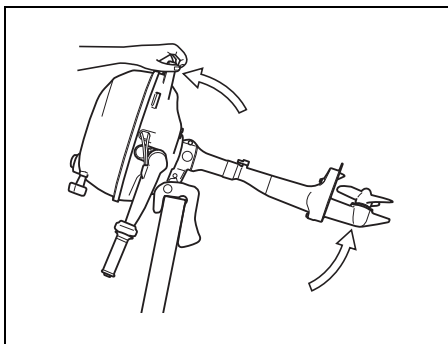


▲ AVERTISSEMENT

Si vous ne prenez pas les précautions adéquates pendant le levage du moteur, le carburant risque de s'échapper.

Pour les moteurs avec un réservoir incorporé, s'assurer que le robinet d'essence est tourné vers la droite (fermé) et resserrer la vis de mise à l'air libre du bouchon de réservoir de carburant avant de lever le moteur.

4. Saisir la poignée située à l'arrière du capot inférieur du moteur et relever le moteur au maximum jusqu'à ce le bras de verrouillage ① le bloque automatiquement en position relevée maximum.

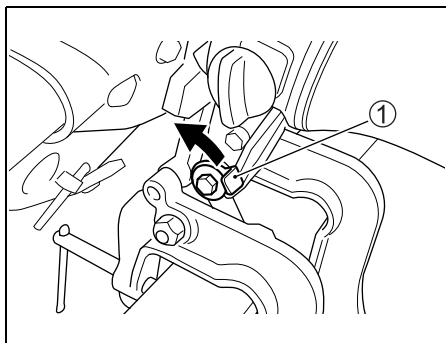
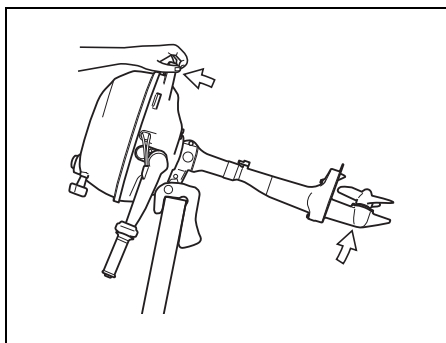


AVIS

Si vous utilisez la poignée de commande des gaz pour relever ou baisser le moteur, elle pourrait se casser.

Ne jamais utiliser la poignée de commande des gaz pour relever ou baisser le moteur.

Pour rebaissier le moteur, le tirer légèrement vers soi, tirer le bras de verrouillage de relevage vers le haut ① et laisser le moteur descendre lentement.



AVIS

Si vous utilisez le bras de verrouillage pour retenir le moteur en position relevée pour le remorquage, le bras de verrouillage peut se décrocher et endommager le moteur.

Pour remorquer votre bateau, ne jamais utiliser le bras de verrouillage pour retenir le moteur en position relevée.

CONTROLE AVANT L'UTILISATION

▲ AVERTISSEMENT

Tout manquement à contrôler votre bateau et le moteur avant le départ peut être dangereux.

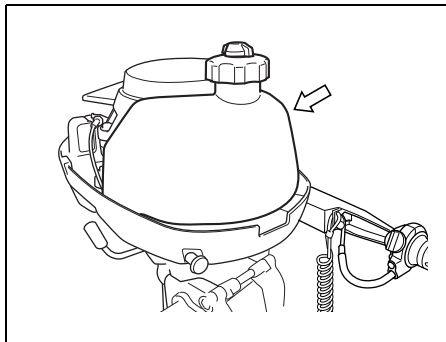
Avant le départ, toujours effectuer les contrôles décrits dans cette section.

Vérifier que le bateau et le moteur sont en bon état de marche et que tout est prêt en cas d'urgence.

Toujours procéder aux contrôles suivants avant de partir :

- S'assurer que l'on a assez de carburant pour la navigation prévue.

Contenance en carburant: 1,0 L



- Vérifier le niveau d'huile-moteur dans le carter d'huile.

AVIS

Faire tourner le moteur avec une quantité insuffisante d'huile risque d'endommager sérieusement le moteur.

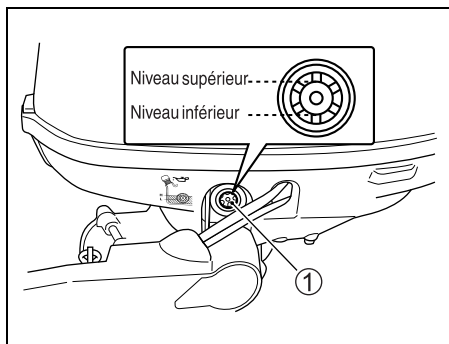
Toujours vérifier le niveau d'huile avant chaque sortie et faire l'appoint d'huile si nécessaire.

Pour vérifier le niveau d'huile-moteur:

NOTE:

Pour vérifier le niveau correctement, attendre que le moteur soit froid.

1. Placer le moteur à la verticale.
2. Vérifier le niveau de l'huile par le regard de contrôle du niveau d'huile ①. Le niveau de l'huile doit se trouver entre les repères supérieur et inférieur.



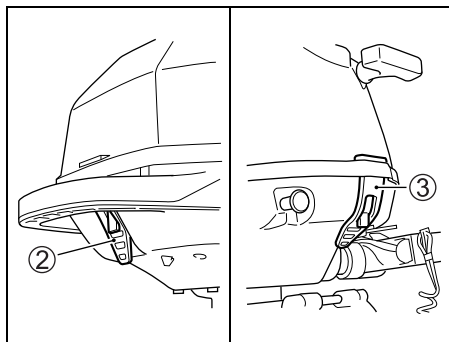
NOTE:

Si l'huile est contaminée ou décolorée, la remplacer par de l'huile-moteur fraîche (se référer à la section INSPECTION ET ENTRETIEN/ Huile du moteur).

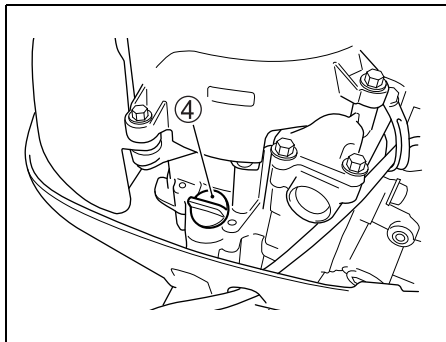
Tout en regardant dans le regard vitré ①, faire le point d'huile pour amener le niveau à la limite supérieure.

Pour faire le plein d'huile:

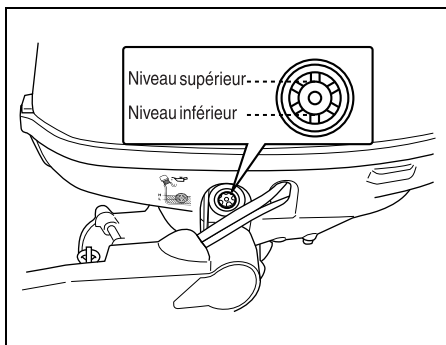
1. Déposer le couvercle du moteur par déverrouillage des attaches ② et ③.



2. Enlever le bouchon de remplissage ④.



3. Faire le plein avec l'huile recommandée, jusqu'au niveau de la limite maximum.



AVIS

Faire tourner le moteur avec une quantité excessive d'huile risque d'endommager le moteur.

Ne pas trop remplir le moteur d'huile.

4. Resserrer à fond le bouchon de remplissage.

- Contrôler l'hélice visuellement pour s'assurer qu'elle n'est pas endommagée.
- S'assurer que le moteur est solidement fixé au tableau arrière.
- S'assurer que la broche d'inclinaison est solidement montée à la position correcte.
- S'assurer que la corde du lanceur à rappel n'est pas usée ou effilochée.
- S'assurer que l'on dispose de l'équipement de sécurité et de secours nécessaire à bord.

RODAGE

Une utilisation correcte pendant cette période de rodage contribuera à assurer la longévité maximale et les performances optimales de votre moteur. Les directives suivantes expliquent les procédures de rodage correctes.

AVIS

Le non-respect des procédures de rodage décrites ci-dessous peut entraîner un grave endommagement du moteur.

Veiller à observer les procédures de rodage du moteur décrites ci-dessous.

Période de rodage: 10 heures

Procédure de rodage

1. Pour les premières deux heures de rodage: Laisser tourner le moteur au ralenti (environ cinq minutes) pour le réchauffer, après le démarrage à froid.

AVIS

Faire tourner le moteur trop vite sans le réchauffer suffisamment peut endommager sérieusement le moteur, tel que grippe des pistons.

Toujours réchauffer le moteur suffisamment au ralenti (5 minutes) avant de monter le régime.

Après le réchauffage, faire tourner le moteur au ralenti ou au plus bas régime possible en prise pendant environ 15 minutes.

Pendant l'heure et 45 minutes restantes, utiliser le moteur en prise à moins de la moitié (1/2) (3000 tr/min.) de l'accélération maximale, si les conditions de navigation sont sûres et permettent une telle utilisation.

NOTE:

Il est possible d'accélérer au-delà du régime de service recommandé pour remettre le bateau d'aplomb, avant de réduire immédiatement le régime.

2. Heure suivante:

Si les conditions le permettent, faire tourner le moteur à 4000 tr/min. ou au 3/4 de la position maximum du papillon des gaz. Eviter de faire tourner le moteur au régime maximum.

3. Sept heures restantes:

Utiliser le moteur en prise au régime souhaité, si les conditions de navigation sont sûres et permettent une telle utilisation. Il est possible d'accélérer au maximum de temps à autre, mais dans ce cas, ne jamais dépasser cinq minutes d'accélération continue.

AVIS

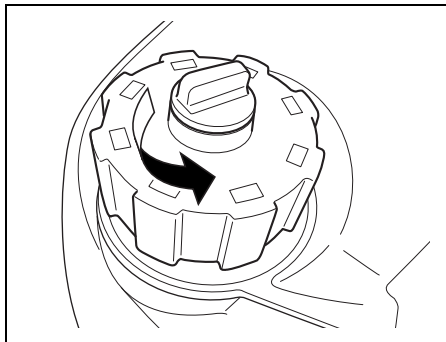
Faire tourner le moteur pleins gaz pendant plus de 5 minutes de façon continue pendant les 7 dernières heures du rodage risque d'endommager sérieusement le moteur, tel que grippage des pistons.

Pendant les dernières 7 heures du rodage, ne pas faire tourner le moteur pleins gaz pendant plus de 5 minutes à la fois.

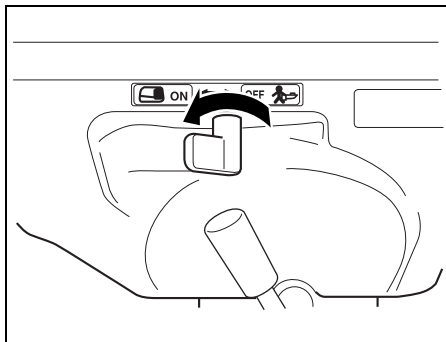
UTILISATION

AVANT D'ESSAYER DE METTRE LE MOTEUR EN MARCHÉ

1. S'assurer que le moteur a été abaissé et se trouve dans l'eau.
2. Pour ouvrir l'évent d'air, dévisser entièrement la vis de purge d'air se trouvant sur le bouchon du réservoir de carburant par rotation dans le sens contraire au sens horloger.



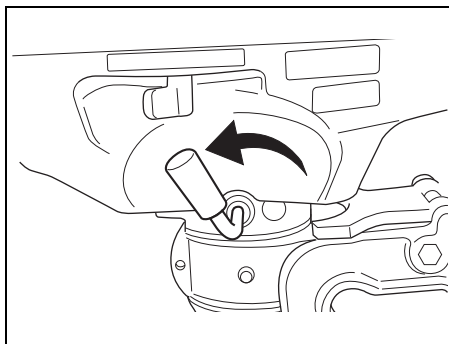
3. Mettre la manette du robinet de carburant à gauche.



NOTE:

Quand on tourne la manette du robinet de carburant à gauche, le carburant s'écroule du réservoir intégré.

4. Vérifier que le moteur est au “Point mort” (“NEUTRAL”)

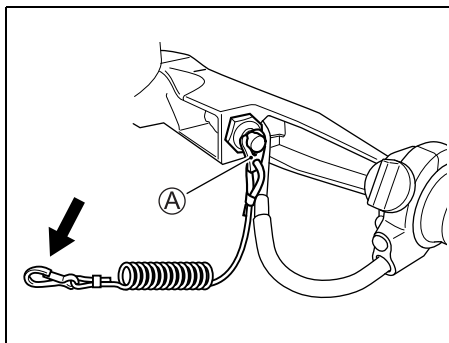


▲ AVERTISSEMENT

Ce moteur hors-bord n'est pas pourvu d'un système de protection contre les démarrages en prise. Si le levier d'inversion n'est pas sur la position “NEUTRAL”, le bateau risque d'avancer brusquement au démarrage du moteur. Il peut en résulter des blessures corporelles.

S'assurer que le levier d'inversion est sur la position “NEUTRAL” avant de faire démarrer le moteur.

5. Vérifier que la plaque de verrouillage (A) est en place et le cordon du contacteur d'arrêt d'urgence est soigneusement fixé au poignet ou à un endroit approprié comme la ceinture par exemple.



▲ AVERTISSEMENT

Si le cordon du contacteur d'arrêt d'urgence n'est pas soigneusement attaché ou si les précautions nécessaires ne sont pas prises pour s'assurer que le contacteur d'arrêt d'urgence fonctionne normalement, risque de blessures graves ou de mort pour l'opérateur ou les passagers.

Toujours prendre les précautions suivantes:

- S'assurer que le cordon du contacteur d'arrêt d'urgence est soigneusement fixé au poignet de l'opérateur ou à un endroit approprié (comme la ceinture, par exemple).
- Vérifier que rien ne peut empêcher ou restreindre le fonctionnement du contacteur d'arrêt d'urgence.
- Eviter de tirer sur le cordon du contacteur d'arrêt d'urgence ou d'enlever la plaque de verrouillage pendant une marche normale. Le moteur va s'arrêter brusquement et avec l'interruption du mouvement de marche avant, les passagers risquent d'être jetés par-dessus bord.

NOTE:

Une plaque de verrouillage en plastique est fournie pour un usage provisoire uniquement. L'enlever du cordon et la ranger dans un endroit sûr sur le bateau. Toutefois, remettre le cordon et la plaque de verrouillage originaux en place dès que possible.

MISE EN MARCHÉ DU MOTEUR

▲ AVERTISSEMENT

Les gaz d'échappement contiennent du monoxyde de carbone, un gaz incolore et inodore difficile à détecter. Ce gaz peut entraîner la mort ou des blessures graves.

Ne jamais lancer le moteur ou le faire tourner dans un endroit clos ou dans un endroit non ou faiblement aéré.

NOTE:

Si le moteur ne démarre pas, vérifier la plaque de verrouillage du coupe-circuit de sécurité. Si la plaque n'est pas correctement positionnée, le moteur ne démarre pas.

NOTE:

Si le moteur est neuf ou si le réservoir de carburant est vide, procéder à ce qui suit avant de démarrer :

Faire le plein de carburant du réservoir.

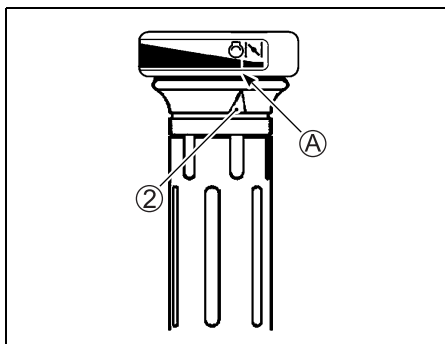
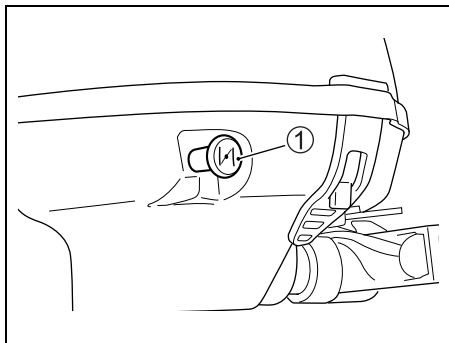
Tirer fermement à plusieurs reprises sur la poignée du démarreur pour remplir la canalisation d'alimentation de carburant puis exécuter les diverses étapes d'un démarrage normal.

1. Si le moteur est froid:

Tirer le bouton de starter ① au maximum. Aligner la flèche ② de la poignée de commande des gaz et la position A.

Si le moteur est chaud:

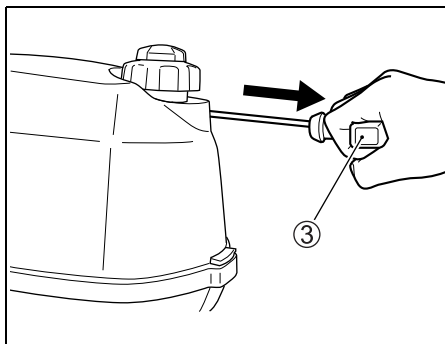
Aligner la flèche ② de la poignée de commande des gaz et la position A. Ne pas utiliser le starter.



NOTE:

Il peut s'avérer nécessaire d'utiliser le starter pour redémarrer le moteur à chaud. Si le moteur ne démarre pas immédiatement à chaud, procéder comme pour le démarrage à froid.

2. Bien saisir la corde du démarreur ③ et la tirer lentement jusqu'à ce qu'on sente que le démarreur se met en prise. Quand le démarreur est en prise, tirer la corde énergiquement pour mettre le moteur en marche. Ne pas relâcher la corde. La tenir et la laisser se réenrouler lentement.



▲ AVERTISSEMENT

Ce moteur hors-bord n'est pas pourvu d'un système de protection contre les démarrages en prise. Si le levier d'inversion n'est pas sur la position "NEUTRAL", le bateau risque d'avancer brusquement au démarrage du moteur. Il peut en résulter des blessures corporelles.

S'assurer que le levier d'inversion est sur la position "NEUTRAL" avant de faire démarrer le moteur.

AVIS

Si vous tirez sur la poignée du démarreur quand le moteur tourne, le système de démarrage risque d'être endommagé.

Ne jamais tirer sur la poignée du démarreur quand le moteur tourne.

- Après la mise en marche, utiliser la poignée de commande des gaz pour faire tourner le moteur au ralenti.
- Repousser le bouton de starter.

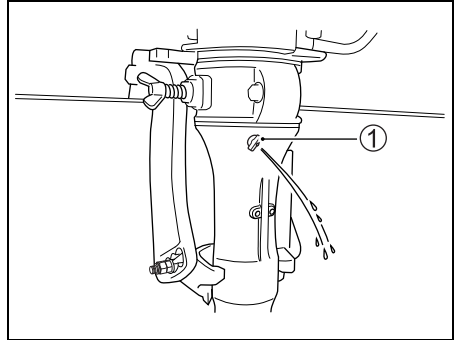
NOTE:

Par temps froid, il peut s'avérer nécessaire de laisser le bouton de starter en position sortie pendant plus longtemps pour permettre au moteur de chauffer.

- Faire chauffer le moteur pendant environ cinq minutes.

Contrôle de l'eau de refroidissement

Dès que le moteur se met en marche, de l'eau doit être refoulée par le trou témoin ①, signifiant que la pompe à eau et le système de refroidissement fonctionnent correctement. Si l'on remarque que l'eau ne jaillit pas par le trou témoin, arrêter le moteur le plus tôt possible et consulter un distributeur de moteurs hors-bord Suzuki.



AVIS

Ne jamais utiliser le moteur hors-bord quand il ne sort pas d'eau par le trou témoin ; un grave endommagement pourrait se produire.

Après avoir démarré le moteur, s'assurer que l'eau sort du trou témoin.

▲ AVERTISSEMENT

Utiliser le bateau quand le contacteur d'arrêt d'urgence ne fonctionne pas correctement peut être dangereux.

Avant de partir, s'assurer que le contacteur d'arrêt d'urgence fonctionne correctement.

MISE EN MARCHÉ DE SECOURS

Pour mettre le moteur en marche quand le lanceur à rappel est défaillant, procéder conformément à la mise en marche de secours.

▲ AVERTISSEMENT

Si vous touchez les parties électriques en faisant démarrer le moteur avec le cordon du démarreur, vous risquez de recevoir une décharge électrique importante.

Pour démarrer le moteur avec le cordon du démarreur, veiller à ne pas toucher les parties électriques comme l'allumeur ou les câbles de bougie.

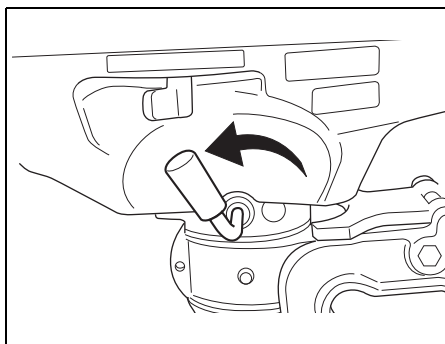
Pour mettre le moteur en marche quand le démarreur est en panne:

1. Vérifier que le moteur est au "Point mort" et que la plaque de verrouillage du contacteur d'arrêt d'urgence n'est pas en place.

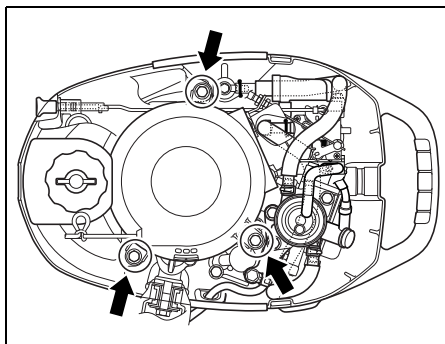
▲ AVERTISSEMENT

Ce moteur hors-bord n'est pas pourvu d'un système de protection contre les démarrages en prise. Si le levier d'inversion n'est pas sur la position "NEUTRAL", le bateau risque d'avancer brusquement au démarrage du moteur. Il peut en résulter des blessures corporelles.

S'assurer que le levier d'inversion est sur la position "NEUTRAL" avant de faire démarrer le moteur.

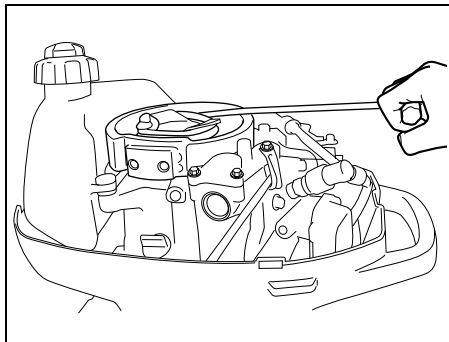


2. Enlever le capot du moteur.
3. Enlever le boulon fixant le lanceur à rappel en place.



4. Lifter Détacher l'ensemble du lanceur à rappel. Resserrer le réservoir de carburant à l'aide des boulons déposés du lanceur à rappel.
5. Faire un noeud à une extrémité de la corde de secours, située dans la trousse à outils. Attacher l'autre extrémité autour de la poignée de tournevis, située dans la trousse à outils.

6. Accrocher l'extrémité portant le noeud de la corde à l'encoche de la poulie puis enrouter la corde vers la droite autour de cette poulie.
7. Remettre la plaque de verrouillage du coupe-circuit de sécurité en place.
8. Après avoir suivi les étapes de la mise en marche normale, tirer sur la corde du lanceur d'un coup sec pour démarrer le moteur.



▲ AVERTISSEMENT

Si vous tentez de remonter l'ensemble démarreur à retour automatique ou le capot du moteur après avoir mis en marche le moteur, risque de blessure.

Ne pas tenter de remonter l'ensemble démarreur à retour automatique ou le capot du moteur après avoir mis en marche le moteur.

▲ AVERTISSEMENT

Quand le moteur tourne, de nombreuses pièces tournantes présentent un risque de blessures graves.

Quand le moteur tourner, éloigner les mains, les cheveux, les vêtements, etc. du moteur.

NOTE:

Veiller à faire réparer le système de démarrage le plus tôt possible. Ne pas continuer à utiliser la procédure de démarrage d'urgence en temps normal.

INVERSION DE MARCHÉ ET COMMANDE DE LA VITESSE

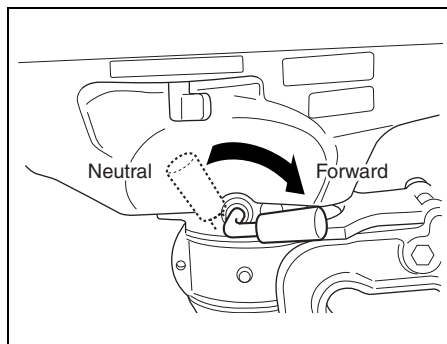
AVIS

Si vous changez de vitesse quand le moteur ne tourne pas, vous risquez de détériorer le système de changement de vitesses.

Eviter de changer de vitesse quand le moteur ne tourne pas.

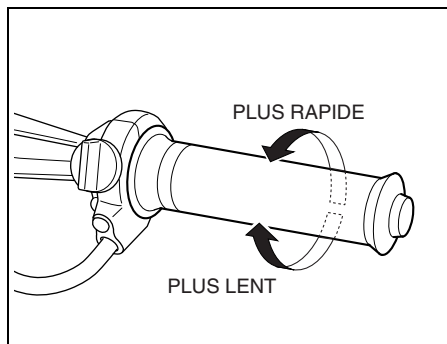
Inversion de marche

Pour passer en marche avant ("FORWARD"), mettre la poignée de commande des gaz sur la position de ralenti et tirer fermement le levier d'inversion vers soi.



Commande de la vitesse

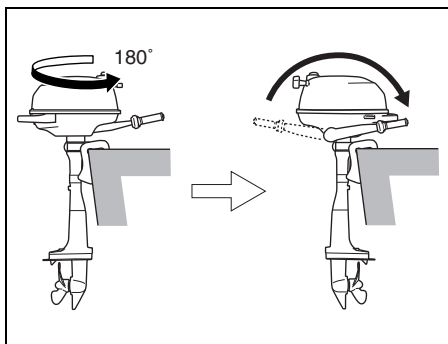
Après l'inversion de marche, commander la vitesse du moteur en tournant la poignée de commande des gaz.



UTILISATION EN MARCHÉ ARRIÈRE

Pour utiliser le bateau en marche arrière:

1. Mettre la poignée de commande des gaz en position de ralenti.
2. Tourner le moteur complètement à l'aide de la barre franche puis replier cette barre vers soi.



3. Utiliser le moteur à bas régime.

AVIS

Ne pas laisser le moteur toucher le fond sous peine de détérioration du moteur hors-bord ou du bateau. Si le moteur touche de fond pendant une marche arrière, le choc va agir directement sur l'arcasse du bateau et le moteur comme le bateau risquent d'être endommagés.

Ne pas laisser le moteur heurter le fond, surtout lors de l'utilisation en marche arrière.

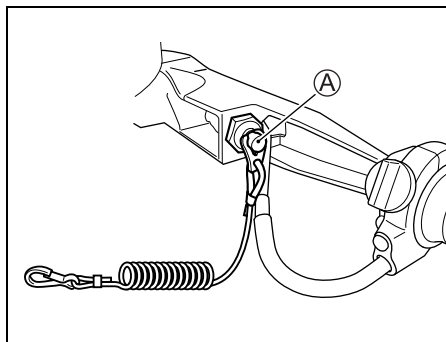
ARRÊT DU MOTEUR

NOTE:

Quand il est nécessaire d'arrêter le moteur en cas d'urgence, tirer sur la plaque de verrouillage du contacteur d'arrêt d'urgence et tirer sur la corde du contacteur d'arrêt d'urgence pour le faire sortir.

Pour arrêter le moteur:

1. Mettre la poignée de commande des gaz au ralenti.
2. Mettre au "POINT MORT".
3. Après avoir utilisé le moteur à plein régime, laisser refroidir le moteur pendant quelques minutes au ralenti ou en le faisant avancer à faible vitesse.
4. Tirer et retenir le bouton d'arrêt (A) jusqu'à l'arrêt du moteur.



5. Après avoir arrêté le moteur, tourner le levier du robinet de carburant vers la droite.

▲ AVERTISSEMENT

Si vous laissez le moteur à l'arrêt pendant une période prolongée avec le levier du robinet de carburant ouvert, le carburant risque de fuir.

Fermer le levier du robinet de carburant à chaque fois que le moteur est mis à l'arrêt pendant une période prolongée.

6. Tourner la vis de réglage d'air sur le capuchon du réservoir de carburant pour fermer l'évent.

NOTE:

Pour vérifier le bon fonctionnement du coupe-circuit de sécurité, arrêter de temps à autre le moteur alors qu'il tourne au ralenti en enlevant la plaque de verrouillage.

AMARRAGE

Le moteur doit être relevé avant d'amarrer le bateau en eau peu profonde ou lorsque le bateau n'est pas utilisé pendant une période prolongée, afin de le protéger de la corrosion ou des obstacles pouvant surgir à marée basse.

Pour les détails concernant la manière de relever de moteur, se reporter à la section BRAS DE VERROUILLAGE DE RELEVAGE.

AVIS

Un amarrage incorrect de votre bateau risque d'endommager le bateau ou le moteur, ou causer des dommages à un tiers.

Quand le bateau est à l'amarre, attention à ce que le moteur ne cogne pas contre le quai, la jetée ou d'autres bateaux.

UTILISATION EN EAU PEU PROFONDE

Quand on utilise le bateau en eau peu profonde. On ne doit utiliser le bateau qu'aux basses vitesses.

AVIS

Si vous ne prenez pas les précautions appropriées pendant la marche arrière, vous risquez d'endommager le moteur hors-bord ou le bateau.

Ne pas laisser le moteur heurter le fond, surtout lors de l'utilisation en marche arrière, sinon un grave endommagement pourrait se produire. Quand le moteur heurte le fond en marche arrière, le choc agit directement sur le tableau arrière et le moteur ainsi que le bateau risquent d'être endommagés.

PRECAUTIONS A SUIVRE EN EAU DE MER

Après avoir utilisé le moteur en eau de mer, toujours rincer les passages d'eau à l'eau fraîche, comme indiqué dans la section RINCAGE DES PASSAGES D'EAU. Toujours rincer ces passages d'eau afin d'éviter tout risque de corrosion due au sel, qui peut réduire la durée de service du moteur.

UTILISATION PAR TEMPS FROID

Par temps froid, si la température tombe en dessous de 0°C, faire en sorte que la partie inférieure du moteur hors-bord soit toujours dans l'eau.

Après avoir sorti le moteur de l'eau, le tenir à la verticale jusqu'à écoulement complet du liquide du système de refroidissement.

AVIS

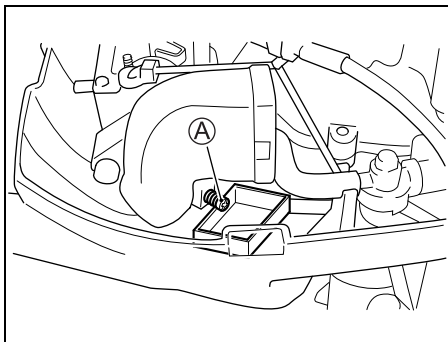
En sortant de l'eau le moteur lorsque la température ambiante est inférieure à 0°C, l'eau contenue dans le système de refroidissement du moteur risque de se congeler, pouvant ainsi causer de sérieuses détériorations au moteur.

Quand le moteur hors-bord est laissé dans une eau glacée, le bloc inférieur devra être sous l'eau en permanence. Quand le moteur est sorti de l'eau glacée pour remisage, le laisser à la verticale afin que toute l'eau ressorte du système de refroidissement.

DEPOSE ET TRANSPORT DU MOTEUR

DEPOSE DU MOTEUR

1. S'assurer que le moteur est complètement arrêté.
2. Mettre la manette du robinet de carburant à droite.
3. Revisser le bouchon du réservoir de carburant incorporé et sa vis d'aération-évent.
4. Vidanger l'essence du carburateur de la manière indiquée.
 - (1) Enlever le capot du moteur.
 - (2) Desserrer la vis de vidange du carburateur (A) et vidanger l'essence.



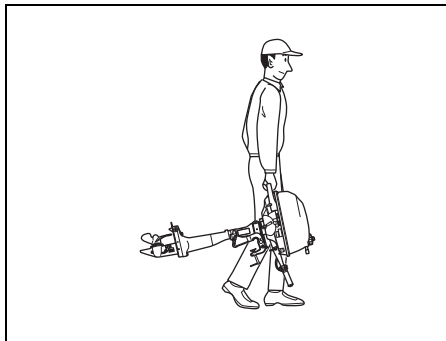
▲ AVERTISSEMENT

L'essence est extrêmement inflammable et toxique. L'essence peut provoquer un incendie et est dangereuse pour les personnes et les animaux.

Utiliser un récipient approprié pour recueillir l'essence vidangée du moteur hors-bord. Eloigner l'essence de toute source d'étincelle, de flammes, des personnes et des animaux.

(3) Après la vidange, resserrer la vis.

5. Desserrer les vis d'étrier.
6. Soulever le moteur pour le séparer du tableau arrière.
7. Poser le moteur verticalement et vidanger l'eau du groupe inférieur.
8. Pour transporter le moteur, le saisir par la poignée de son couvercle inférieur.

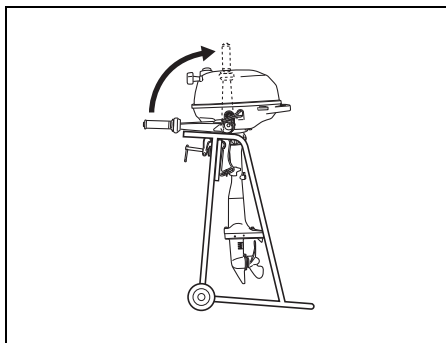


TRANSPORT DU MOTEUR

Pour le transport du moteur, le placer en position verticale ou en position horizontale.

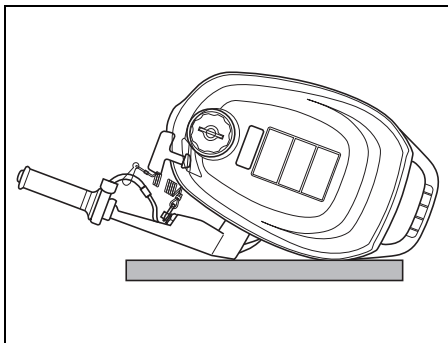
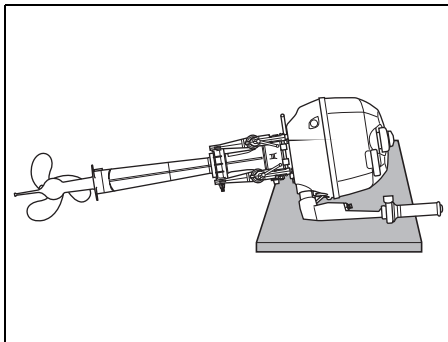
Transport vertical:

Relever la poignée de basculage et fixer la bride de fixation à un support par serrage des deux vis de fixation.



Transport horizontal:

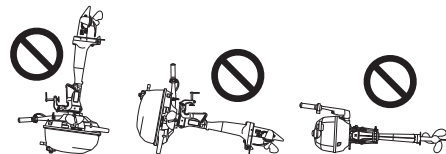
Lever la barre de direction et placer le moteur sur un protège-carter avec le côté du trou tourné vers le bas comme illustré.



AVIS

Si vous ne prenez pas les précautions adéquates pour le transport de votre moteur hors-bord, il risque d'être détérioré.

- Ne pas faire reposer le moteur dans l'une des positions indiquées ci-dessous, l'eau pourrait entrer dans le cylindre par le carter ou les carters externes pourraient être endommagés.
- Ne pas mettre le moteur sur son côté avant que l'eau de refroidissement ne soit complètement vidangée, l'eau pourrait entrer dans le cylindre par l'orifice d'échappement et causer des problèmes.



AVIS

Pendant le transport ou le remisage, ne pas laisser le bloc inférieur de votre moteur hors-bord reposer plus haut que la tête motrice, l'eau pourrait s'infiltrer dans la tête motrice, causant ainsi un endommagement du moteur.

Ne jamais laisser le bloc inférieur reposer plus haut que la tête motrice pendant le transport ou le remisage de votre moteur hors-bord.

CONTROLE ET ENTRETIEN

AVIS

L'ENTRETIEN, LE REMPLACEMENT OU LES REPARATIONS DES DISPOSITIFS ET DES SYSTEMES DE REGULATION DES EMISSIONS PEUVENT ETRE EFFECTUES PAR TOUT ETABLISSEMENT OU MECANICIEN DE REPARATION DES MOTEURS MARINES UTILISANT DES PIECES DE RECHANGE HOMOLOGUEES CONFORMEMENT AUX PROVISIONS DE LA Sec. 207 (a) (2) DU 'CLEAN AIR ACT' (LOI SUR LA PROTECTION DE L'AIR).

PLAN D'ENTRETIEN

Il est important de contrôler et d'entretenir le moteur hors-bord régulièrement. Suivre le tableau. A chaque intervalle, ne pas oublier d'effectuer l'opération indiquée. Les intervalles d'entretien doivent être déterminés par le nombre d'heures ou le nombre de mois, selon celui de ces deux éléments qui arrive en premier.

▲ AVERTISSEMENT

Les gaz d'échappement contiennent du monoxyde de carbone, un gaz incolore et inodore difficile à détecter. Ce gaz peut entraîner la mort ou des blessures graves.

Ne jamais lancer le moteur ou le faire tourner dans un endroit clos ou dans un endroit non ou faiblement aéré.

Intervalles Elément	Premier mois ou premières 20 heures	Toutes les 50 heures ou tous les 3 mois	Toutes les 100 heures ou tous les 6 mois	Toutes les 200 heures ou tous les 12 mois
Bougies	–	–	I	R
Reniflard et conduite d'alimentation	I	I	I	I
Huile du moteur	R	–	R	R
Huile du carter d'engrenages	R	–	R	R
Graissage	–	I	I	I
Anodes (externes)	–	I	I	I
* Anodes (internes, bloc moteur)	–	–	I	I
* Filtre à carburant	–	I	I	I
* Avance à l'allumage	–	–	–	I
* Carburateurs	I	–	I	I
* Régime de ralenti	I	–	–	I
* Jeu des soupapes	I	–	–	I
* Pompe à eau	–	–	–	I
* Rotor de la pompe à eau	–	–	–	R
* Ecrou et goupille de l'hélice	I	–	I	I
* Boulons & écrou	T	–	T	T

I: Inspecter et nettoyer, ajuster, graisser ou remplacer, si nécessaire. T: Serrer R: Remplacer

▲ AVERTISSEMENT

Un entretien défectueux ou le non-entretien recommandé peut s'avérer dangereux. Un entretien incorrect ou le non-entretien augmente les chances d'accident ou de détérioration de l'équipement.

Veiller à bien effectuer l'entretien selon le programme indiqué dans le tableau ci-dessus. Suzuki recommande de confier l'entretien seulement à un concessionnaire de moteurs hors-bord agréé Suzuki ou à un mécanicien qualifié des éléments repérés par un astérisque (*) dans le tableau ci-dessus. Vous pouvez effectuer l'entretien des éléments non marqués en se référant aux instructions dans cette section si vous avez des connaissances en mécanique. Si vous n'êtes pas sûr de pouvoir effectuer ces opérations convenablement, les confier à un concessionnaire de moteurs hors-bord agréé Suzuki.

▲ AVERTISSEMENT

La sécurité du pilote et des passagers dépend de la manière dont le moteur hors-bord est entretenu.

Respecter scrupuleusement toutes les instructions de contrôle et d'entretien. Ne pas essayer d'effectuer l'entretien de ce moteur hors-bord si l'on n'est pas qualifié. On pourrait se blesser ou endommager le moteur.

AVIS

Les intervalles d'entretien indiqués dans le tableau ont été établis pour une utilisation normale du moteur hors-bord. Si le moteur hors-bord est utilisé sous des conditions difficiles, comme à pleine puissance la plupart du temps, en milieu boueux, salé, sablonneux ou acide, ou en eaux peu profondes, procéder aux opérations d'entretien plus souvent qu'indiqué dans le tableau. Le moteur hors-bord risque d'être endommagé si l'entretien n'est pas effectué plus souvent.

Consulter le concessionnaire de moteurs hors-bord agréé Suzuki pour toute question concernant les intervalles d'entretien appropriés. Pour le remplacement de pièces sur le moteur hors-bord, Suzuki conseille vivement l'utilisation de pièces Suzuki d'origine ou équivalentes.

BOUGIE

Votre moteur hors-bord est équipé des bougies "standard" suivante pour une utilisation normale.

Bougie standard	NGK CR6HSA
-----------------	------------

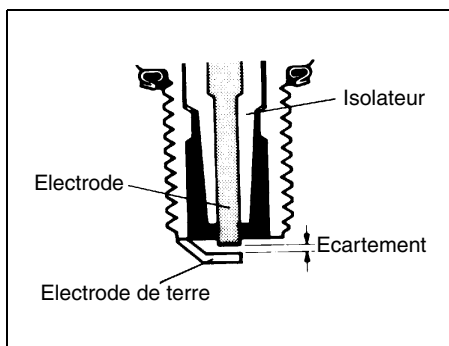
AVIS

L'utilisation de bougies du type sans résistance risque de perturber le fonctionnement de l'allumage électronique, causant des ratés d'allumage ou des problèmes avec les autres équipements et accessoires électroniques du bateau.

Utiliser **UNIQUEMENT** des bougies du type à résistance sur votre moteur hors-bord.

Les concessionnaires de moteur hors-bord agréés Suzuki sont à même de déterminer si une bougie de type standard est appropriée au type d'usage prévu du moteur par contrôle de la couleur de l'isolateur en porcelaine ou de l'état de l'électrode de la bougie après usage.

Si la bougie tend à chauffer (comme en témoigne la couleur blanchâtre de l'isolateur ou le grillage de l'électrode), arrêter immédiatement l'usage du moteur sous peine de grave détérioration du moteur. Si la bougie n'est pas assez chaude (l'isolateur est alors noirâtre ou l'électrode apparaît humide), les performances vont s'en ressentir. Demander au concessionnaire de moteur hors-bord agréé Suzuki de déterminer la raison du problème.



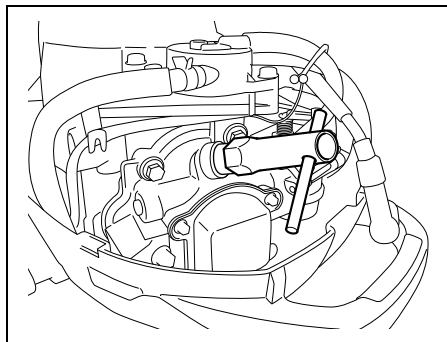
AVIS

L'utilisation de bougies incorrectes ou mal serrées peut entraîner un grave endommagement du moteur.

- **Ne pas tenter d'utiliser de bougies de marque différente si celle-ci ne sont pas certifiées exactement équivalentes à la marque spécifiée, sous peine de détérioration du moteur non couverte par la garantie. Noter que les tableaux de correspondance postérieurs à la commercialisation risquent de manquer de précision.**
- **Pour monter une bougie; la visser d'abord entièrement à la main, puis utiliser une clé pour la resserrer au couple spécifié ou selon l'angle de rotation spécifié.**

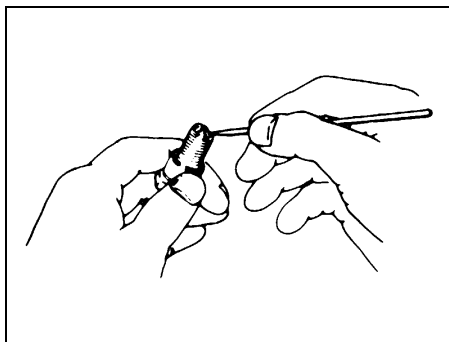
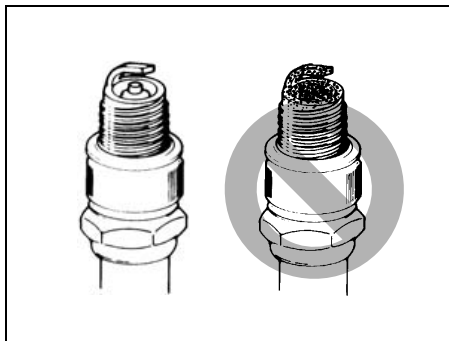
Couple de serrage	
1,0 – 1,2 kg·m	
Angle de rotation	
Bougie neuve	1/2 – 3/4 tour
Bougie usagée	1/12 – 1/8 tour

- **Ne pas trop serrer ou fausser les filetages de la bougie sous peine de détérioration des filetages en aluminium de la culasse.**



Afin d'obtenir un bon étincellement, on doit décalaminer et régler les bougies aux intervalles indiqués dans le tableau d'entretien. Décalaminer les bougies à l'aide d'une petite brosse métallique ou d'un appareil de nettoyage spécial puis régler l'écartement des électrodes en se reportant au tableau suivant.

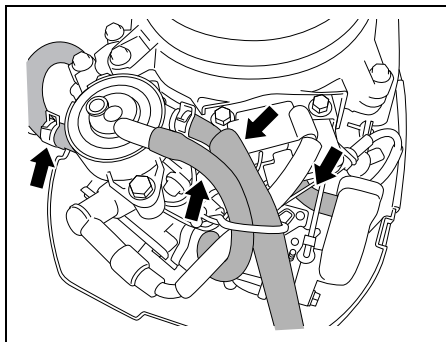
Ecartement des électrodes des bougies	0,6 – 0,7 mm
---------------------------------------	--------------



Si l'électrode ou l'isolateur est endommagé ou en cas d'usure excessive, changer la bougie.

RENIFLARD ET CONDUITE D'ALIMENTATION

Contrôler si le reniflard ou la conduite d'alimentation ne présentent pas de fuites ou ne sont pas craquelés, boursoufflés ou endommagés de toute autre manière. Si la conduite d'alimentation ou le reniflard présentent le moindre dommage ils doivent être remplacés. Si le remplacement s'avère nécessaire, consulter votre distributeur de moteurs hors-bord Suzuki.



▲ AVERTISSEMENT

Une fuite de carburant peut donner lieu à une explosion ou un incendie, entraînant un grave accident corporel.

En cas de signe de fuite, de craquelure ou de boursoufflement, faire remplacer la conduite d'alimentation par votre distributeur de moteurs hors-bord Suzuki.

HUILE DU MOTEUR

▲ AVERTISSEMENT

Ne jamais effectuer la vidange de l'HUILE-MOTEUR quand le moteur tourne, sous peine de risque de blessure grave.

Le moteur doit être arrêté avant de procéder à la vidange de l'HUILE-MOTEUR.

AVIS

La pêche à la traîne prolongée peut réduire la durée de service de l'huile. Votre moteur risque d'être détérioré si la vidange de l'huile-moteur n'est pas effectuée plus souvent dans ce cas.

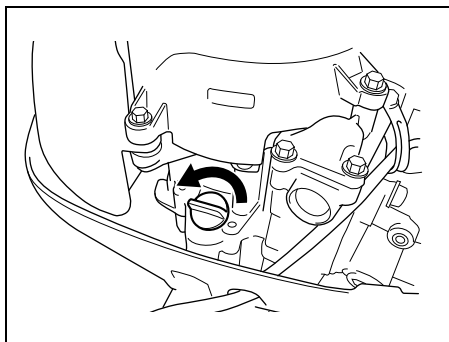
Vidanger l'huile-moteur plus souvent si votre moteur est utilisé pour la pêche à la traîne de longue durée.

Changement de l'huile du moteur

Afin qu'elle puisse se vidanger complètement, l'huile doit être changée quand le moteur est chaud.

Pour changer l'huile du moteur:

1. Mettre le moteur en position verticale et enlever son capot.
2. Enlever le bouchon de remplissage d'huile.

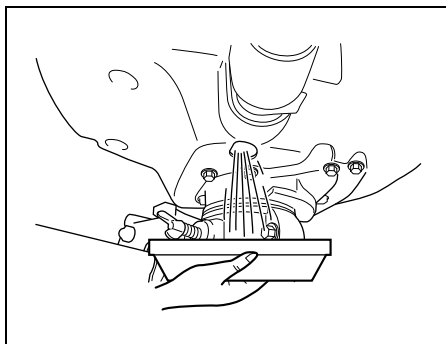


▲ ATTENTION

La température de l'huile du moteur peut être suffisamment élevée pour provoquer une brûlure des doigts quand on enlève la vis de vidange.

Avant d'enlever cette vis, attendre qu'on puisse la toucher à mains nues.

3. Mettre un récipient sous la vis de vidange d'huile du moteur.
4. Enlever la vis de vidange d'huile du moteur et le joint, puis laisser l'huile s'écouler dans le récipient.



5. Après la vidange, serrer la vis de vidange d'huile du moteur avec un joint neuf.

AVIS

Un joint déjà utilisé risque de fuir, ce qui peut entraîner une détérioration du moteur.

Ne jamais réutiliser les joints. Veiller à toujours utiliser des joints neufs.

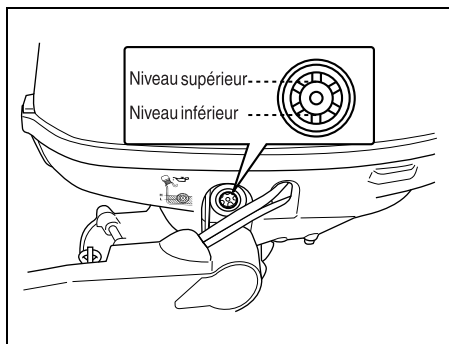
6. Faire le plein d'huile moteur recommandée jusqu'au niveau de la limite maximum.

Quantité d'huile: 0,38 L

Huile moteur: SAE (ou NMMA FC-W)10W-40

Classement API (ou NMMA FC-W):
SG, SH, SJ, SL, SM

7. Contrôler le niveau d'huile du moteur. Voir la section **CONTROLE AVANT L'UTILISATION**.



NOTE:

Pour éviter toute mesure incorrecte du niveau d'huile du moteur, contrôler ce niveau uniquement une fois que le moteur est refroidi.

8. Remonter le bouchon de remplissage d'huile.

▲ AVERTISSEMENT

L'huile-moteur est dangereuse pour les gens et les animaux. Le contact répété et prolongé avec de l'huile-moteur présente un risque de cancer de la peau. Même un contact de courte durée risque d'irriter la peau.

- **Eloigner l'huile, neuve et usagée, des enfants et des animaux.**
- **Toujours porter une chemise à manches longues et des gants étanches avant de manipuler l'huile.**
- **Laver au savon la peau en cas de contact avec l'huile.**
- **Nettoyer tout vêtement ou chiffon qui a été exposé à l'huile.**

NOTE:

Recycler ou mettre au rebut correctement l'huile-moteur usagée. Ne pas la jeter à la poubelle, la répandre sur le sol, la mettre à l'égout ou la jeter à l'eau.

HUILE DU CARTER D'ENGRENAGES

Pour vérifier le niveau d'huile d'engrenage, mettre le moteur bien droit, déposer le bouchon de niveau d'huile et regarder dans le trou.

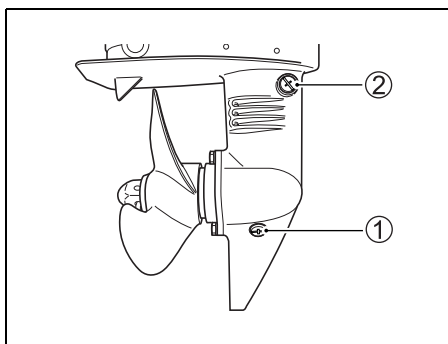
Le niveau d'huile doit être au bord inférieur de ce trou. Si le niveau est bas, le compléter en ajoutant l'huile pour engrenages spécifiée.

Ensuite, remonter et serrer le bouchon.

La durée de vie d'un moteur hors-bord dépend de la régularité de ses vidanges d'huile.

Pour changer l'huile du carter d'engrenages:

1. S'assurer que le moteur est en position verticale puis mettre un bidon sous le carter d'engrenages.
2. Enlever le bouchon de vidange d'huile ① inférieur puis enlever le bouchon de niveau d'huile supérieur ②.



3. Une fois que toute l'huile est vidangée, injecter l'huile pour engrenages spécifiée par le trou inférieur jusqu'à ce qu'elle commence à sortir par le trou supérieur. Il faudra environ 70 ml d'huile.
4. Reposer et serrer le bouchon de niveau d'huile moteur ②, puis reposer et serrer aussitôt le bouchon de vidange d'huile ①.

NOTE:

Afin d'injecter suffisamment d'huile pour engrenages, contrôler le niveau d'huile 10 minutes après avoir procédé comme décrit à l'étape 4. Si le niveau d'huile est trop bas, injecter lentement l'huile pour engrenages jusqu'à ce que le niveau soit correct.

▲ AVERTISSEMENT

L'huile pour engrenages est dangereuse pour les gens et les animaux. Le contact répété et prolongé avec de l'huile pour engrenages présente un risque de cancer de la peau. Même un contact de courte durée avec de l'huile usagée risque d'irriter la peau.

- Eloigner l'huile, neuve et usagée, des enfants et des animaux.
- Toujours porter une chemise à manches longues et des gants étanches avant de manipuler l'huile.
- Laver au savon la peau en cas de contact avec l'huile.
- Nettoyer tout vêtement ou chiffon qui a été exposé à l'huile.

NOTE:

Recycler ou mettre au rebut correctement l'huile pour engrenages usagée. Ne pas jeter l'huile avec les déchets ordinaires, sur le sol, à l'égout ou dans l'eau.

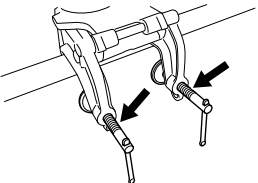
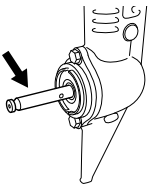
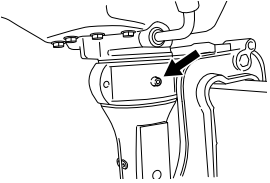
AVIS

Si une ligne s'enroule autour de l'arbre d'hélice qui tourne, le joint d'étanchéité de l'arbre d'hélice risque d'être détérioré et peut laisser pénétrer l'eau dans le carter d'engrenage et provoquer des dégâts importants.

Si l'huile pour engrenage est de couleur laiteuse, elle est contaminée par de l'eau. Contacter immédiatement le concessionnaire de moteurs hors-bord agréé Suzuki pour conseil. Ne pas utiliser le moteur hors-bord tant que l'huile n'a pas été changée et la cause de la contamination déterminée.

GRAISSAGE

Un graissage correct est important pour un fonctionnement sûr et en douceur et pour une grande longévité de chaque pièce mécanique du moteur hors-bord. Le tableau suivant indique les points de graissage du moteur, ainsi que les lubrifiants à utiliser.

EMPLACEMENT	LUBRIFIANT
 Vis de serrage	Graisse hydrofuge
 Arbre d'hélice	
 Support pivotant	Graisse hydrofuge (Utiliser un pistolet graisseur)

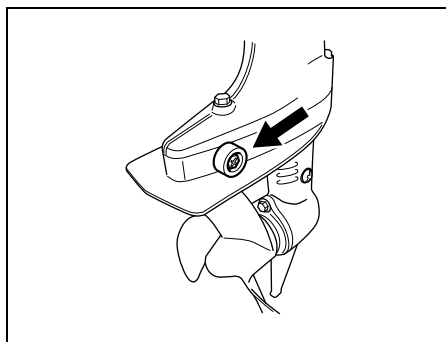
Le concessionnaire de moteurs hors-bord agréé Suzuki peut également donner des conseils supplémentaires compte tenu des conditions climatiques locales ou des conditions particulières d'utilisation. Lui demander conseil.

PROTECTION CONTRE LA CORROSION

ANODE

Le moteur est protégé contre la corrosion extérieur par une anode. Cette anode régule l'électrolyse et aide à prévenir la corrosion. L'anode se corrode à la place des pièces qu'elle protège. Procéder périodiquement au contrôle de l'anode et la changer quand 2/3 du métal ont disparu par corrosion.

Dans certaines régions du pays, l'eau peut s'avérer très dure pour les métaux. Des mesures anti-rouille supplémentaires peuvent apporter une protection renforcée dans ces conditions. Pour le détail, voir le concessionnaire de moteurs hors-bord agréé Suzuki.



AVIS

Si les anodes ne sont pas entretenues correctement, la surface en aluminium sous l'eau (comme le bloc inférieur, par exemple) risque d'être détériorée par la corrosion galvanique.

- Contrôler périodiquement les anodes pour s'assurer qu'elles ne sont pas détachées.
- Ne pas peindre les anodes, sous peine de les rendre inefficaces.
- Nettoyer périodiquement les anodes avec une brosse métallique pour enlever tout encrassement qui pourrait diminuer leurs propriétés protectrices.

NOTE:

Pour le contrôle et le changement des anodes internes fixées au bloc-cylindre/à la culasse, voir un concessionnaire marine Suzuki agréé.

FILTRE A CARBURANT

Faire vérifier périodiquement le filtre à carburant par un Concessionnaire Marine Suzuki agréé. Vérifier le filtre à carburant toutes les 50 heures (3 mois).

RINCAGE DES PASSAGES D'EAU

MOTEUR EN MARCHÉ

– En position verticale –

Suzuki conseille de rincer le passage d'eau de cette façon.

▲ AVERTISSEMENT

Les gaz d'échappement contiennent du monoxyde de carbone, un gaz incolore et inodore difficile à détecter. Ce gaz peut entraîner la mort ou des blessures graves.

Ne jamais lancer le moteur ou le faire tourner dans un endroit clos ou dans un endroit non ou faiblement aéré.

▲ AVERTISSEMENT

Le manque de précautions appropriées pour purger l'eau dans les passages d'eau peut être dangereux.

Pour purger les passages d'eau, toujours prendre les précautions suivantes:

- S'assurer que le moteur est au POINT MORT. Si le moteur est en prise, l'arbre d'hélice peut tourner et causer de graves blessures.
- S'assurer que le moteur est bien fixé sur un support stable ou le bateau, et rester à proximité jusqu'à la fin de la purge.
- Eloigner les enfants et les animaux et ne pas s'approcher des pièces mobiles.

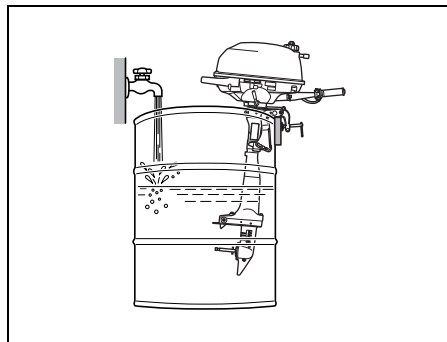
AVIS

Le moteur peut être gravement endommagé en moins de 15 secondes si le moteur est démarré sans eau dans le système de refroidissement.

Ne jamais démarrer le moteur sans avoir au préalable alimenté en eau le système de refroidissement.

Après fonctionnement dans de l'eau boueuse, saumâtre ou salée, vous devez rincer les conduites d'eau et la surface du moteur avec de l'eau propre. Si vous ne rincez pas les conduites d'eau, le sel peut corroder le moteur et réduire sa durée de vie.

1. Mettre l'inversion au point mort ("NEUTRAL").
2. Enlever l'hélice du moteur. Se reporter à la section CHOIX ET MONTAGE DE L'HELICE.
3. Monter le moteur dans un gros bidon vide tel qu'un baril d'acier de 200 litres.



4. Remplir le bidon d'eau douce et propre comme illustré.
5. Mettre le moteur en marche et le laisser tourner au ralenti pendant environ cinq minutes. Ceci éliminera l'eau salée du système de refroidissement.
6. Arrêter le moteur. Sortir le moteur de son conteneur et le laisser en position verticale jusqu'à ce qu'il soit entièrement vide. Remonter l'hélice comme décrit dans la section CHOIX ET MONTAGE DE L'HELICE.
7. Nettoyer la surface du moteur et appliquer une couche de cire sur la finition du moteur.

MOTEUR IMMERGE

Si le moteur s'est retrouvé accidentellement immergé dans l'eau, le soumettre à des réparations spéciales le plus rapidement possible pour éviter les risques de corrosion. Si possible, confier cette opération à un concessionnaire marine qualifié. Si ceci n'est pas possible dans un délai rapproché, prendre les mesures suivantes. Si votre moteur est accidentellement immergé, procéder comme suit.

1. Retirer le moteur de l'eau le plus tôt possible.
2. Déposer le capot du moteur et le laver immédiatement à l'eau douce pour enlever complètement toute trace de sel, boue et algues.
3. Déposer la bougie. Vidanger l'eau du cylindre par le trou de bougie en faisant tourner le volant moteur de la main de plusieurs tours.
4. Contrôler s'il n'y a pas d'eau dans l'huile du moteur. Si de l'eau est présente, vidanger l'huile en enlevant le bouchon prévu à cet effet. Après la vidange, remonter ce bouchon.
5. Vider la canalisation de carburant et le carburateur.

AVERTISSEMENT

L'essence est extrêmement inflammable et toxique. L'essence peut provoquer un incendie et est dangereuse pour les personnes et les animaux.

Tenir l'essence à l'écart de toute flamme et étincelle. Mettre l'essence non désirée au rebut convenablement.

6. Verser une cuillère à soupe d'huile moteur dans le trou de bougie et dans le carburateur, Revêtir d'huile les pièces internes du moteur en faisant tourner ce dernier à l'aide du lanceur à rappel.

AVIS

Le moteur risque d'être gravement endommagé si vous lancez le moteur et ressentez une friction ou une résistance.

Si vous rencontrez une friction ou une résistance pendant le lancement du moteur, arrêter le moteur immédiatement et ne pas tenter de le redémarrer tant que problème n'a pas été déterminé et corrigé.

7. Faire vérifier le moteur dès que possible par un concessionnaire marine Suzuki agréé.

AVIS

Si le carburant est contaminé par l'eau, le moteur risque d'être détérioré.

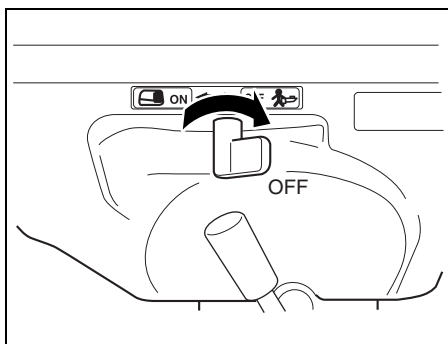
Si le dispositif de remplissage du réservoir de carburant et l'évent ont été immergés, contrôler le circuit d'alimentation en carburant pour s'assurer qu'il n'est pas contaminé par l'eau.

PROCEDURE DE REMISAGE

REMISAGE DU MOTEUR

Quand on remise le moteur pour une longue période (par exemple à la fin de la saison nautique), il est recommandé de l'apporter chez son distributeur de moteurs hors-bord Suzuki. Toutefois, si l'on désire le préparer soi-même pour le remisage, procéder comme suit:

1. Changer l'huile du carter d'engrenages comme décrit dans la section HUILE POUR ENGRENAGES.
2. Changer l'huile du moteur comme décrit dans la partie HUILE DU MOTEUR.
3. Ajouter un stabilisateur de carburant dans le réservoir en procédant conformément aux instructions données sur le bidon du stabilisateur.
4. Rincer les passages d'eau du moteur soigneusement. Se reporter à la section RINÇAGE DES PASSAGES D'EAU .
5. Réajuster le débit de l'eau et faire tourner le moteur à environ 1500 tr/min au point mort pendant cinq minutes pour distribuer le carburant stabilisé dans tout le moteur.
6. Arrêter le moteur puis fermer le robinet d'eau. Enlever l'accessoire de rinçage.
7. Mettre la manette le robinet de carburant à droite.



8. Serrer la vis de mise à l'air libre du bouchon du réservoir.
9. Graisser toutes les pièces mobiles. Se reporter à la section GRAISSAGE. Pulvériser un agent antirouille sur toute la partie entraînement (éviter les produits à huile décalage).
10. Appliquer une couche de cire pour automobiles sur la partie extérieure du moteur. Si la peinture est endommagée, faire les retouches nécessaires avant d'appliquer la cire.
11. Remiser le moteur en position verticale dans un endroit sec et bien aéré. Choisir un endroit à température stabilisée pour éviter les risques de corrosion par condensation. Ne pas magasiner près d'un four, d'un radiateur ou autre.

▲ AVERTISSEMENT

Quand le moteur tourne, les pièces tournantes du moteur risquent de causer des blessures graves.

Quand le moteur est en marche, tenir ses mains, cheveux, vêtements, etc. à l'écart.

AVIS

Le moteur peut être gravement endommagé en moins de 15 secondes si le moteur est démarré sans eau dans le système de refroidissement.

Ne jamais démarrer le moteur sans avoir au préalable alimenté en eau le système de refroidissement.

APRES LE REMISAGE

Quand vous voulez utiliser votre moteur après un remisage, procéder comme suit pour le remettre en état de marche:

1. Nettoyer soigneusement la bougie. La changer si nécessaire.
2. Contrôler le niveau d'huile du carter d'engrenages. Si nécessaire, compléter ce niveau en procédant comme décrit dans la section HUILE POUR ENGRENAGES.
3. Graisser toutes les pièces mobiles comme décrit dans la section GRAISSAGE.
4. Contrôler le niveau d'huile du moteur.
5. Nettoyer le moteur et cirer les surfaces peintes.

INFORMATIONS GENERALES

GARANTIE (ETATS-UNIS)

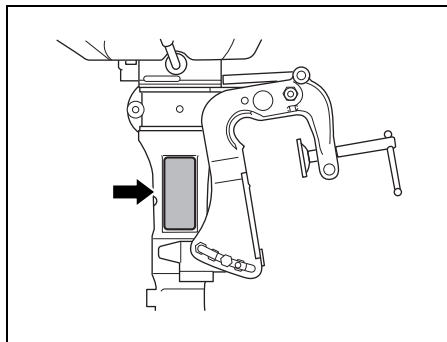
Le garantie s'appliquant à ce moteur hors-bord est spécifiée par un livret séparé intitulé Garantie Limitée remis à l'achat du moteur. Lisez attentivement ce livret pour connaître vos droits et vos responsabilités.

EMPLACEMENT DES NUMEROS D'IDENTIFICATION

Les numéros de modèle et d'identification de votre moteur hors-bord sont estampés sur une plaque fixée au logement de l'arbre moteur. Noter ces chiffres ci-dessous pour future référence. Il est important de connaître ces numéros quand on effectue une commande de pièces ou si votre moteur est volé.

Numéro de modèle:

Numéro d'identification:



INFORMATIONS CONCERNANT LA REGULATION DES EMISSIONS

AVIS

- CE MOTEUR FONCTIONNE AVEC DE L'ESSENCE SANS PLOMB D'INDICE D'OCTANE 87 (METHODE (R+M)/2) OU PLUS.
- SYSTEME DE REGULATION DES EMISSIONS : MODIFICATION DU MOTEUR

DEPANNAGE

Ce guide de dépannage est prévu pour vous aider à trouver la cause des problèmes courants.

AVIS

La résolution incorrecte d'un problème peut endommager votre moteur hors-bord. Des réparations ou réglages incorrects peuvent entraîner un endommagement du moteur hors-bord. Un tel endommagement risque de ne pas être couvert par la garantie.

Si l'on n'est pas sûr de la mesure corrective à prendre, consulter un concessionnaire accrédité Suzuki au sujet du problème rencontré.

Le moteur ne démarre pas (démarrage difficile):

- La plaque du coupe-circuit de sécurité n'est pas en place.
- Le réservoir de carburant est vide.
- La conduite de carburant est pliée ou pincée.
- La bougie est encrassée.

Le moteur tourne irrégulièrement au ralenti ou cale:

- Le bouton de starter n'est pas enfoncé au maximum.
- La conduite de carburant est pliée ou pincée.
- La bougie est encrassée.

La vitesse du moteur n'augmente pas (Le moteur manque de puissance):

- Le moteur est surchargé.
- L'hélice est endommagée.
- L'hélice n'est pas adaptée au bateau.

Le moteur vibre excessivement:

- Les vis de presse sont desserrés.
- Un corps étranger (algues ou autres) est coincé dans l'hélice.
- L'hélice est endommagée.

Le moteur surchauffe:

- L'admission d'eau de refroidissement est obstruée.
- Le moteur est surchargé.
- L'hélice n'est pas adaptée au bateau.

CARACTERISTIQUES

Elément	DF2.5
Type de moteur	4 temps
Nombre de cylindres	1
Alésage et course	48,0 × 38,0 mm (1,89 × 1,50 in.)
Cylindrée	68 cm ³ (4,1 cu. in.)
Puissance	1,8 kW (2,5PS)
Plage de fonctionnement sous accélération maximale	5250 – 5750 tr/min. (min ⁻¹)
Régime de ralenti (au point mort)	1900 ± 100 tr/min. (min ⁻¹)
Système d'allumage	CDI numérique
Graissage du moteur	Lubrification par pompe trochoïdale
Capacité d'huile du moteur	0,38 L (0,40/0,33 US/Imp. qt.)
Capacité du réservoir de carburant intégré	1,0 L (0,26/0,22 US/Imp. gal.)

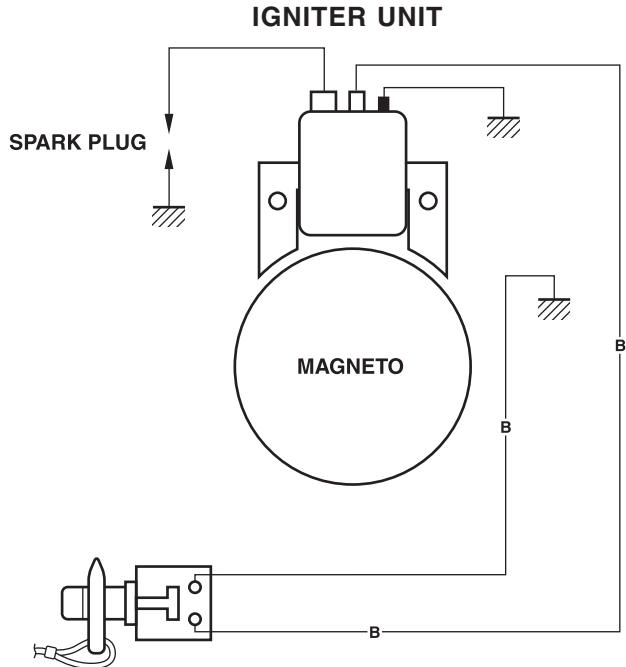
Puissance nominale calculée conformément à la méthode NMMA.

WIRING DIAGRAM SCHEMA DE CABLAGE



WIRING DIAGRAM

DF2.5



EMERGENCY STOP & ENGINE STOP SWITCH

Emergency stop switch: Lock plate IN→RUN

Lock plate OUT→STOP

Engine stop switch: Button pushed→STOP

Wire color
B : Black

Prepared by

SUZUKI MOTOR CORPORATION

Outboard Motor Engineering Department

August, 2011

Part No. 99011-97J08-03B

Printed in Thailand

© COPYRIGHT SUZUKI MOTOR CORPORATION 2011



SUZUKI MOTOR CORPORATION
300 TAKATSUKA, MINAMI, HAMAMATSU, JAPAN

Printed in Thailand